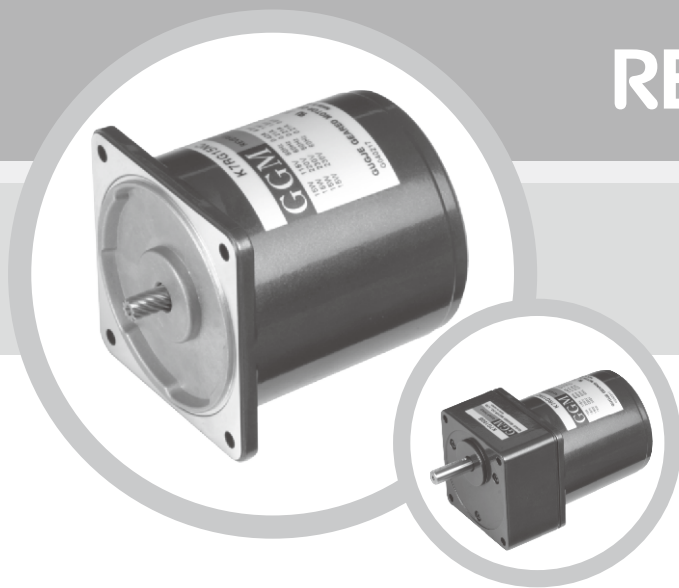
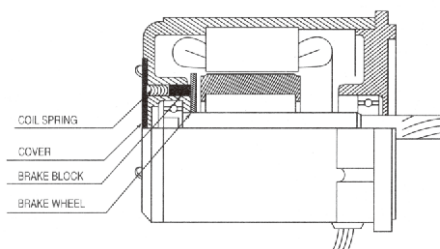


REVERSIBLE MOTOR



[Characteristic of Reversible Motor]

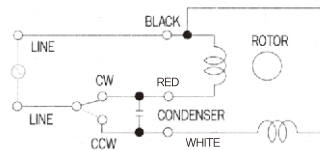
1. Characteristic of Reversible Motor



(Fig. 1)

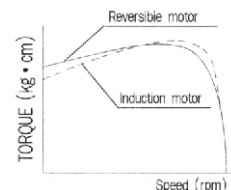
- The reversible motor is a condenser type single-phase induction motor. Therefore, its general characteristics are as same as those of the induction motor.
- It is possible for the motor to operate in rotational direction from normal – stop – to reverse.
- The reversible motor has a temporary brake device built inside the motor to facilitate the operation in normal as well as reverse direction. Also, the main and sub windings of the stator have their windings manufactured with the same method to guarantee the identical characteristics between them. Refer to (Fig. 2).
- Also, it has a higher starting torque to facilitate the frequent changes in rotational direction from normal direction to reverse direction, and vice versa, within a short time. Refer to (Fig. 3).
- The temporary brake is employed to prevent overrun. The temporary brake has a little retaining force to provide excellent instantaneous stop by preventing overrun when stopping. Refer to (Fig. 1).
- The changeover switch can help the motor reverse its rotational direction easily within a short time so that it is suitable for such operation that changes the rotational direction frequently from normal to reverse, and vice versa. Therefore, this motor is called a reversible motor.
- Since the design characteristic of the reversible motor is a capability to control the directional changes in rotation, the loss input is larger and the temperature can rise higher compared with the induction motor. Hence, the rated operating time is limited to 30 minutes.
- Thus, 30 minutes of rated operating time means that the motor at the rated load can have at least 30 minutes of non-stop operation within the safe upper limit of the temperature rise. It is possible for the motor at the intermittent load or at the light load to have non-stop operation, if only the outer cover temperature is not over 90°C.
- In general, the reversible motor is as same as the induction motor in terms of the number of rotation, and the characteristics of torque, voltage, and condenser.

CIRCUIT DIAGRAM



(Fig 2)

SPEED- TORQUE CURVE



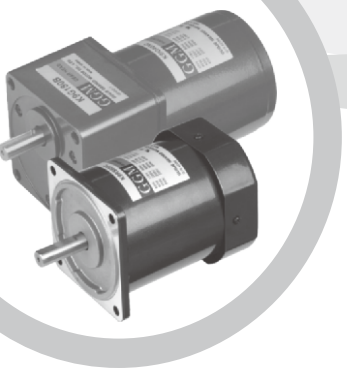
(Fig 3)

2. Temporary Brake Structure

- The temporary brake of the reversible motor has characteristics as follows.
 - ① Apply a frictional load to improve the frequent reversal operation,
 - ② Reduce overrun,
 - ③ Provide a little holding torque.
- Structurally, as shown in (Fig. 1), the brake block is forced toward the brake wheel by a spring to make retention force.
- Since at the aspect of the structure of the brake as shown the above it has a limitation to strengthen retention force, we adjusted the brake power to be about 10% of the motor output torque.
- The figures representing the holding torque and the overrun under no-load in (Table 1) may have more or less deviations for each motor. They may also have some discrepancies depending on the operating duration and the ambient temperature. It is advised therefore that the table figures should be used only for reference purpose.
- The rated torque and electric current of the reversible motor were measured in the circumstance where the temporary brake block is installed in the motor. Therefore, there will be no problem even if the corresponding table figures are used when selecting a motor. The conservative selection of a motor is recommended, however, because the figures may have some deviation depending on the brake block employed for the motor.
- Care should be given, because there is a case that the holding torque may fall below the figures of (Table 1) in the initial phase of operation.

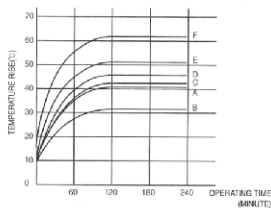
| PHASE | SIZE | OUTPUT (W) | MOTOR MODEL | HOLDING TORQUE | | OVER RUN |
|--------------|------|------------|-------------|----------------|----------|----------|
| | | | | (g · cm) | (N · cm) | |
| SINGLE PHASE | 60mm | 6 | K6RG6N□ | 50 | 0.5 | 4 |
| | 70mm | 15 | K7RG15N□ | 130 | 1.3 | 5 |
| | 80mm | 25 | K8RGP5N□ | 150 | 1.5 | 5 |
| | 90mm | 40 | K9RG40N□ | 400 | 4.0 | 6 |
| | | 60 | K9RP60F□ | | | |
| | 90 | K9RP90F□ | | | | |

(Table 1)

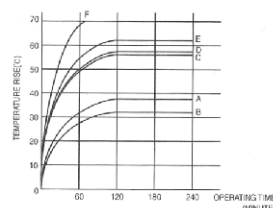


3. Operating Time and Temperature Rise

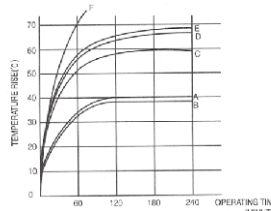
- Although 30 minutes of rated operating time is specified for the reversible motor, the rated operating time may change depending on the operation conditions if the operation frequently repeats stop and run (On-Off) within a short period of time.
- If the reversible motor frequently repeats stop and run (On-Off) within a short time, the starting current gets increased to cause the motor temperature to rise. However, the longer rated operating time may be obtained by allowing the motor to remain stop longer, because the stoppage can provide a chance of natural cooling for the motor to decrease its temperature.
- The conditions of the intermittent (On-Off) operation are determined as shown in A ~ F of (Fig. 4). F stands for continuous operation.



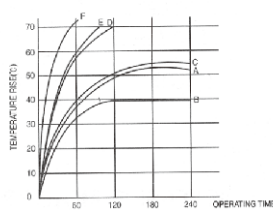
(Fig. 4)



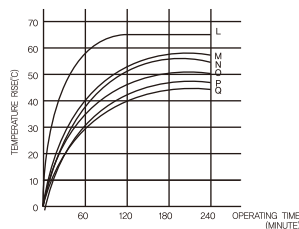
(Fig. 5)



(Fig. 6)



(Fig. 7)



(Fig. 8)

| | RUN | STOP | | | | | |
|---|------|------|------|--|--|--|--|
| A | 1SEC | 1SEC | 1SEC | | | | |
| B | | | | | | | |
| C | | | | | | | |
| D | | | | | | | |
| E | | | | | | | |
| F | | | | | | | |

Operation for 1 second, Stop for 1 second (One direction operation)

Operation for 2 second, Stop for 2 second (One direction operation)

Operation for 2 second, Stop for 2 second

CW Operation for 1 second, CCW Operation for 1 second stop for 1 second

CW Operation for 2 second, CCW Operation for 2 second stop for 1 second

Continuous Operation

(Table 2)

- The characteristics shown in (Fig. 5) through (Fig. 8) represent the measurements of the motor for 220V 50/60Hz. Naturally, the characteristics of the motor or 220V 60Hz will have a little greater characteristic values because of a voltage increased by about 10%, and therefore, the recommendation is that the motor should be operated at the temperature below the ambient temperature.
- The temperature rise measurement is performed when the motor, under no-load, is prevented from transferring its internal heat to the outside through the motor's external contact points using thermograph. This method of measurement can provide the highest possible temperature rise.
- Especially, if either a load or an inertia load is greater than the motor's rated torque, the longer time is required for start or directional reversal, resulting in a greater temperature rise, which requires a user's attention.
- The specified temperature rise of the reversible motor is 75°C (ΔT value) in general, and be careful not to exceed the temperature.
- In reality, there is a case that the motor alone is used, but mostly the motor is used in combination with the gearhead. Hence, when the motor of K8R25N is used with no-load in combination with the gearhead of K8G50B, the temperature rise is like a L curve shown in (Fig. 8) and also the temperature rise becomes lower and the operating time becomes longer by about 30 minutes as compared with the motor shown in (Fig. 6). (Table 2) shows various heat radiation plates for mounting surface. The table indicates that the temperature decreases by about 6°C when the diameter of the heat radiation plate is doubled, and the greater heat conductivity of aluminum makes the aluminum temperature rise smaller than that of the steel. Also, the temperature can be lowered by about 3°C if the aluminum is painted.
- Although the principle is to keep the coil temperature below the specified temperature for the insulation class, it is possible to continue the operation if the motor housing surface temperature remains less than 90°C. The temperature of the motor varies depending on the load, operating cycle, motor's mounting method, and ambient temperature.

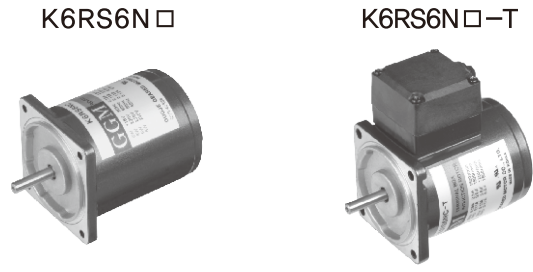
GENERAL SPECIFICATION OF REVERSIBLE MOTORS

| Item | Specification |
|----------------------------|-------------------------------------------------------------------------------------------------------------------------------------------------------------------------|
| Insulation Resistance | 100M Ω or more when 500V megger is applied between the windings and the housing after rated motor operation under normal ambient temperature and humidity |
| Dielectric Strength | Sufficient to withstand 1500V at 50/60Hz applied between the windings and the case after rated motor operation under normal ambient temperature and humidity for 1 min. |
| Temperature Rise | class A (65°C) or class E (75°C) or less increase measured by thermometer after rated operation |
| Insulation Class | Class E(120°C), UL approval motor class A (105°C) |
| Overheat Protection Device | Built-in thermal protector (automatic return type) :Open 130°C \pm 5°C Close 82°C \pm 15°C |
| Ambient Temperature | -10°C~50°C (with UL, CE marked motors: -10°C~40°C) |
| Ambient Humidity | 85% maximum (non condensing) |

REVERSIBLE MOTOR

6W

□ 60mm LEAD WIRE TYPE
TERMINAL BOX TYPE



SPECIFICATIONS

6W 30 minutes rating, four poles

| Model | Voltage (V) | Frequency (Hz) | Current (A) | Start T. (N*m/Kgf*cm) | Rated T. (N*m/Kgf*cm) | Speed (rpm) | Condenser (μF) |
|-------------|-------------|----------------|-------------|-----------------------|-----------------------|-------------|----------------|
| K6R□6NJ(-T) | 100 | 50 | 0,25 | 0,035/0,35 | 0,049/0,49 | 1200 | 3 |
| | | 60 | 0,23 | | 0,04/0,4 | 1500 | |
| K6R□6NU(-T) | 110 | 60 | 0,2 | 0,045/0,45 | 0,04/0,4 | 1500 | 2,5 |
| | 115 | | 0,2 | 0,05/0,5 | | | |
| K6R□6NL(-T) | 200 | 50 | 0,12 | 0,055/0,55 | 0,049/0,49 | 1200 | 1 |
| | | 60 | 0,13 | | 0,04/0,4 | 1500 | |
| K6R□6NC(-T) | 220 | 50 | 0,12 | 0,045/0,45 | 0,047/0,47 | 1250 | 0,8 |
| | | 60 | 0,12 | | 0,04/0,4 | 1500 | |
| | 230 | 50 | 0,15 | 0,055/0,55 | 0,047/0,47 | 1250 | |
| | | 60 | 0,13 | 0,06/0,6 | 0,04/0,4 | 1500 | |
| K6R□6ND(-T) | 240 | 50 | 0,12 | 0,048/0,48 | 0,047/0,47 | 1250 | 0,6 |

* □ : SHAFT SHAPE (S : STRAIGHT, G : PINION)

RATED TORQUE OF GEARHEAD

● 50Hz unit = above : N·m / below : Kgf·cm

| Model | Speed(rpm) | 500 | 416 | 300 | 250 | 200 | 166 | 150 | 120 | 100 | 83 | 75 | 60 | 50 | 41 | 37 | 30 | 25 | 20 | 16 | 15 | 12,5 | 10 | 8,3 | 7,5 | 6 |
|--------------------|------------|------|------|------|------|------|------|------|------|------|------|------|------|------|------|------|------|------|------|------|-----|------|-----|-----|-----|-----|
| Motor/ Gearhead | Ratio | 3 | 3,6 | 5 | 6 | 7,5 | 9 | 10 | 12,5 | 15 | 18 | 20 | 25 | 30 | 36 | 40 | 50 | 60 | 75 | 90 | 100 | 120 | 150 | 180 | 200 | 250 |
| K6R□6N□(-T) | | 0,11 | 0,14 | 0,19 | 0,23 | 0,29 | 0,34 | 0,38 | 0,48 | 0,57 | 0,69 | 0,69 | 0,86 | 1,03 | 1,23 | 1,37 | 1,54 | 1,85 | 2,31 | 2,78 | 3 | 3 | 3 | 3 | 3 | 3 |
| K6G□B(C) | | 1,1 | 1,4 | 1,9 | 2,3 | 2,9 | 3,4 | 3,8 | 4,8 | 5,7 | 6,9 | 6,9 | 8,6 | 10,3 | 12,3 | 13,7 | 15,4 | 18,5 | 21,3 | 27,8 | 30 | 30 | 30 | 30 | 30 | 30 |

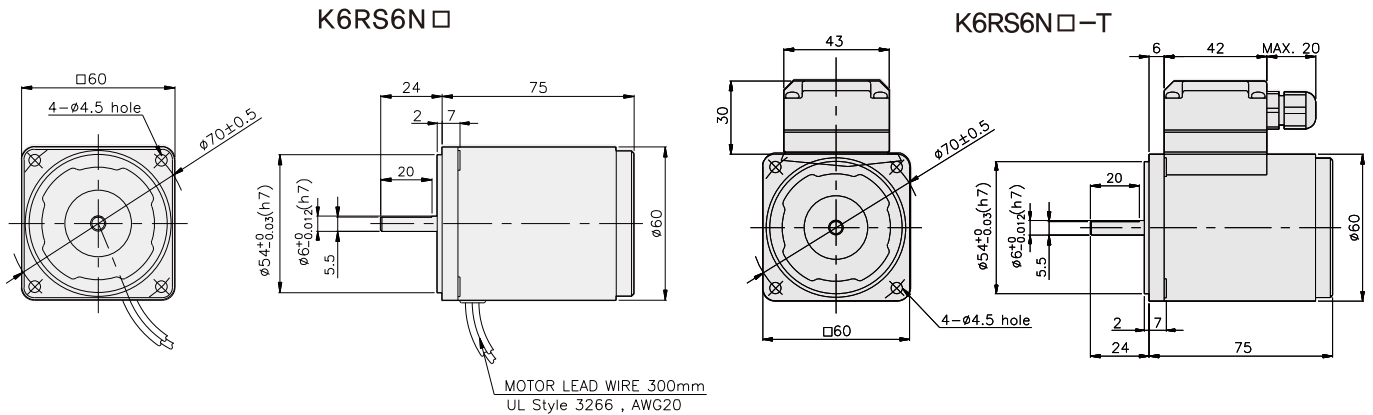
● 60Hz unit = above : N·m / below : Kgf·cm

| Model | Speed(rpm) | 600 | 500 | 360 | 300 | 240 | 200 | 180 | 144 | 120 | 100 | 90 | 72 | 60 | 50 | 45 | 36 | 30 | 24 | 20 | 18 | 15 | 12 | 10 | 9 | 7,2 |
|--------------------|------------|------|------|------|------|------|------|------|------|------|------|------|------|------|------|------|------|------|------|------|------|-----|-----|-----|-----|-----|
| Motor/ Gearhead | Ratio | 3 | 3,6 | 5 | 6 | 7,5 | 9 | 10 | 12,5 | 15 | 18 | 20 | 25 | 30 | 36 | 40 | 50 | 60 | 75 | 90 | 100 | 120 | 150 | 180 | 200 | 250 |
| K6R□6N□(-T) | | 0,10 | 0,12 | 0,16 | 0,19 | 0,24 | 0,29 | 0,32 | 0,41 | 0,49 | 0,58 | 0,58 | 0,73 | 0,87 | 1,05 | 1,17 | 1,31 | 1,57 | 1,97 | 2,36 | 2,62 | 3 | 3 | 3 | 3 | 3 |
| K6G□B(C) | | 1,0 | 1,2 | 1,6 | 1,9 | 2,4 | 2,9 | 3,2 | 4,1 | 4,9 | 5,8 | 5,8 | 7,3 | 8,7 | 10,5 | 11,7 | 13,1 | 15,7 | 19,7 | 23,6 | 26,2 | 30 | 30 | 30 | 30 | 30 |

- * Gearhead and decimal gearhead are sold separately.
- * The code in □ of gearhead model is for gear ratio.
- * ■ color indicates that the output shaft of the geared motor rotates in the same direction as the output shaft of the motor. Others indicate rotation in the opposite direction.
- * If you are to have less ratio than the ratio in the table, you can install the decimal gearhead, which has one tenth of the ratio, between the gearhead and the motor. In this case, the permissible torque is 3N·m/30Kgf·cm.
- * RPM is based on motor's synchronous rpm (50HZ:1500rpm, 60HZ:1800rpm) and calculated by dividing gear ratio. Actual rpm is 2~20% less than indicating rpm according to load size.

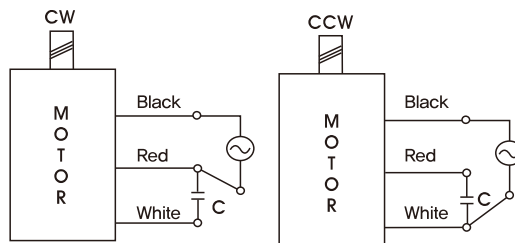
GEARHEADS

DIMENSIONS



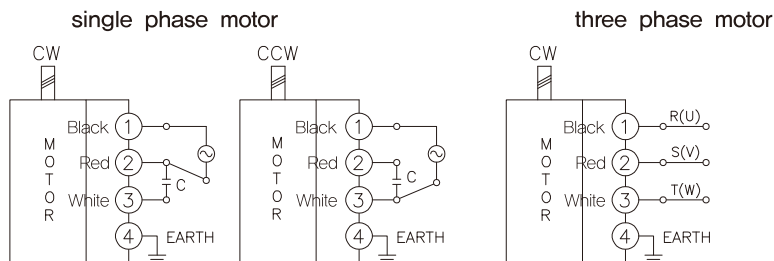
CONNECTION DIAGRAMS

K6RS6N



※The direction of motor rotation is as viewed from the front shaft end of the motor

K6RS6N-T



※The direction of motor rotation is as viewed from the front shaft end of the motor

DIMENSIONS

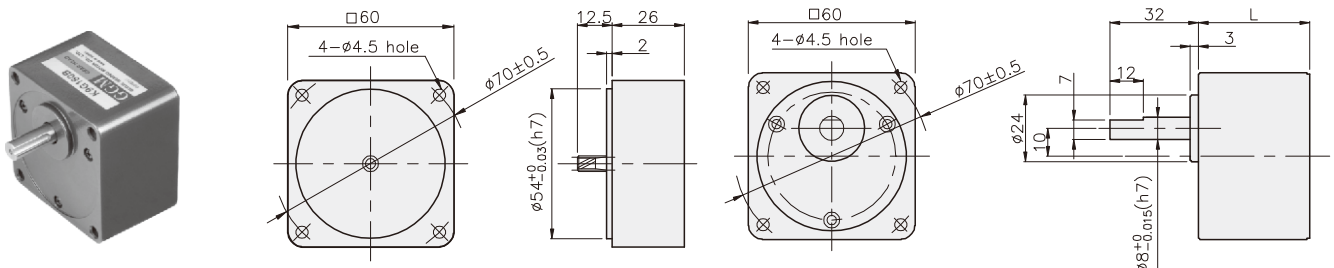
K6G□B(C)

DECIMAL GEARHEAD

K6G10BX□

GEARHEAD

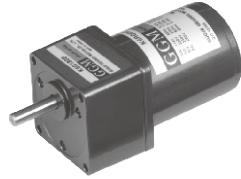
K6G□B(C)



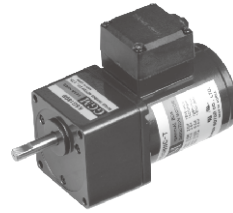
GEARHEADS

DIMENSIONS

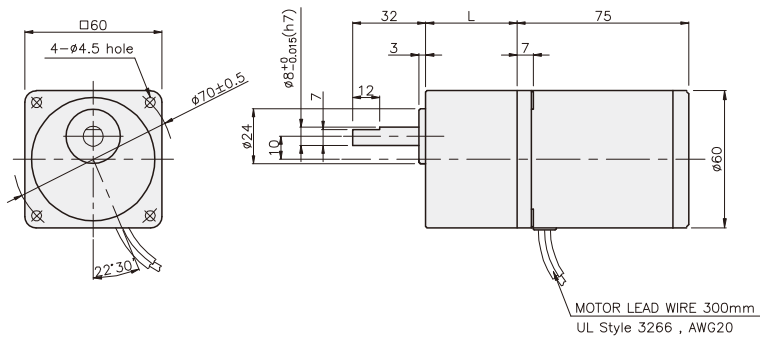
K6RG6N□ + K6G□B(C)



K6RG6N□-T + K6G□B(C)



K6RG6N□ + K6G□B(C)



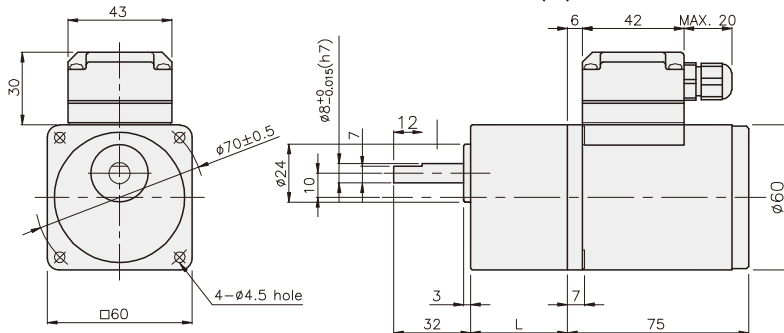
DIMENSION TABLE

| PART No | L | Application Model | Mounting BOLT |
|---------|----|-------------------|---------------|
| 01 | 30 | K6G3~18B(C) | M4 P0,7 X 50 |
| 02 | 40 | K6G20~250B(C) | M4 P0,7 X 60 |
| 03 | 26 | K6G10BX | M4 P0,7 X 85 |

WEIGHT

| PART | WEIGHT(kg) | |
|-------------------|---------------|------|
| MOTOR | 0,72 | |
| DECIMAL GEAR HEAD | 0,22 | |
| GEAR HEAD | K6G3~18B(C) | 0,26 |
| | K6G20~40B(C) | 0,33 |
| | K6G50~250B(C) | 0,36 |

K6RG6N□-T + K6G□B(C)



DIMENSION TABLE

| PART No | L | Application Model | Mounting BOLT |
|---------|----|-------------------|---------------|
| 01 | 30 | K6G3~18B(C) | M4 P0,7 X 50 |
| 02 | 40 | K6G20~250B(C) | M4 P0,7 X 60 |
| 03 | 26 | K6G10BX | M4 P0,7 X 85 |

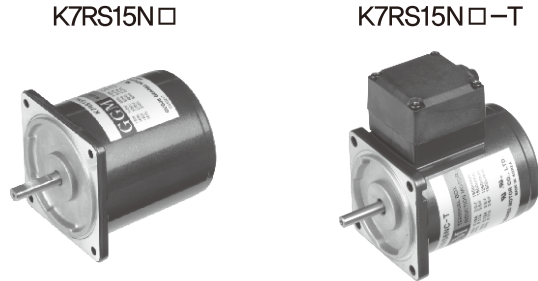
WEIGHT

| PART | WEIGHT(kg) | |
|-------------------|---------------|------|
| MOTOR | 0,76 | |
| DECIMAL GEAR HEAD | 0,22 | |
| GEAR HEAD | K6G3~18B(C) | 0,26 |
| | K6G20~40B(C) | 0,33 |
| | K6G50~250B(C) | 0,36 |

REVERSIBLE MOTOR

15W

□70mm LEAD WIRE TYPE
TERMINAL BOX TYPE



REVERSIBLE MOTORS

SPECIFICATIONS

15W 30 minutes rating, four poles

| Model | Voltage (V) | Frequency (Hz) | Current (A) | Start T. (N*m/Kgf*cm) | Rated T. (N*m/Kgf*cm) | Speed (rpm) | Condenser (μF) |
|--------------|-------------|----------------|-------------|-----------------------|-----------------------|-------------|----------------|
| K7R□15NJ(-T) | 100 | 50 | 0.46 | 0.115/1.15 | 0.12/1.2 | 1250 | 7 |
| | | 60 | 0.48 | | | 1500 | |
| K7R□15NU(-T) | 110 | 60 | 0.47 | 0.12/1.2 | 0.1/1 | 1500 | 6 |
| | 115 | | 0.49 | | | | |
| K7R□15NL(-T) | 200 | 50 | 0.23 | 0.115/1.15 | 0.12/1.2 | 1250 | 2 |
| | | 60 | 0.28 | | | 1500 | |
| K7R□15NC(-T) | 220 | 50 | 0.21 | 0.115/1.15 | 0.12/1.2 | 1250 | 1.5 |
| | | 60 | 0.24 | | | 1500 | |
| | 230 | 50 | 0.25 | 0.125/1.25 | 0.12/1.2 | 1250 | |
| | | 60 | 0.24 | 0.125/1.25 | | 1500 | |
| K7R□15ND(-T) | 240 | 50 | 0.25 | 0.13/1.3 | 0.12/1.2 | 1250 | 1.5 |

* □ : SHAFT SHAPE (S : STRAIGHT, G : PINION)

RATED TORQUE OF GEARHEAD

● 50Hz

unit = above : N·m / below : Kgf·cm

| Model | Speed(rpm) | 500 | 416 | 300 | 250 | 200 | 166 | 150 | 120 | 100 | 83 | 75 | 60 | 50 | 41 | 37 | 30 | 25 | 20 | 16 | 15 | 12.5 | 10 | 8.3 | 9 |
|--------------------------|------------|------|------|------|------|------|------|------|------|------|------|------|------|------|------|------|------|----|----|----|-----|------|-----|-----|-----|
| Motor/ Gearhead | Ratio | 3 | 3.6 | 5 | 6 | 7.5 | 9 | 10 | 12.5 | 15 | 18 | 20 | 25 | 30 | 36 | 40 | 50 | 60 | 75 | 90 | 100 | 120 | 150 | 180 | 200 |
| K7R□15N□(-T) K7G□B(C) | 0.29 | 0.35 | 0.49 | 0.58 | 0.73 | 0.87 | 0.97 | 1.22 | 1.46 | 1.75 | 1.75 | 2.19 | 2.62 | 3.15 | 3.50 | 3.94 | 4.72 | 5 | 5 | 5 | 5 | 5 | 5 | 5 | 5 |
| | 2.9 | 3.5 | 4.9 | 5.8 | 7.3 | 8.7 | 9.7 | 12.2 | 14.6 | 17.5 | 17.5 | 21.9 | 26.2 | 31.5 | 35.0 | 39.4 | 47.2 | 50 | 50 | 50 | 50 | 50 | 50 | 50 | 50 |

● 60Hz

unit = above : N·m / below : Kgf·cm

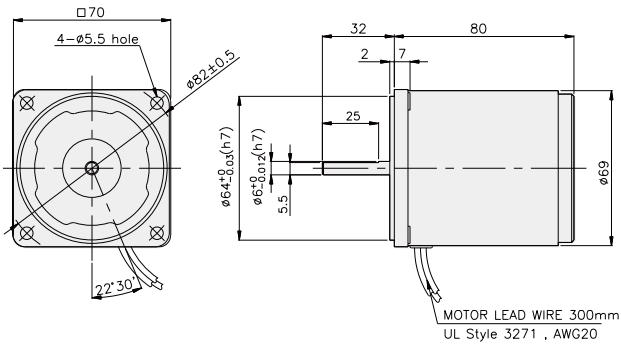
| Model | Speed(rpm) | 600 | 500 | 360 | 300 | 240 | 200 | 180 | 144 | 120 | 100 | 90 | 72 | 60 | 50 | 45 | 36 | 30 | 24 | 20 | 18 | 15 | 12 | 10 | 9 |
|--------------------------|------------|------|------|------|------|------|------|------|------|------|------|------|------|------|------|------|------|------|----|----|-----|-----|-----|-----|-----|
| Motor/ Gearhead | Ratio | 3 | 3.6 | 5 | 6 | 7.5 | 9 | 10 | 12.5 | 15 | 18 | 20 | 25 | 30 | 36 | 40 | 50 | 60 | 75 | 90 | 100 | 120 | 150 | 180 | 200 |
| K7R□15N□(-T) K7G□B(C) | 0.24 | 0.29 | 0.41 | 0.49 | 0.61 | 0.73 | 0.81 | 1.01 | 1.22 | 1.46 | 1.46 | 1.82 | 2.19 | 2.26 | 2.92 | 3.28 | 3.94 | 4.92 | 5 | 5 | 5 | 5 | 5 | 5 | 5 |
| | 2.4 | 2.9 | 4.1 | 4.9 | 6.1 | 7.3 | 8.1 | 10.1 | 12.2 | 14.6 | 14.6 | 18.2 | 21.9 | 26.2 | 29.2 | 32.8 | 39.4 | 49.2 | 50 | 50 | 50 | 50 | 50 | 50 | 50 |

- * Gearhead and decimal gearhead are sold separately.
- * The code in □ of gearhead model is for gear ratio.
- * color indicates that the output shaft of the geared motor rotates in the same direction as the output shaft of the motor. Others indicate rotation in the opposite direction.
- * If you are to have less ratio than the ratio in the table, you can install the decimal gearhead, which has one tenth of the ratio, between the gearhead and the motor. In this case, the permissible torque is 5N·m/50kgf·cm.
- * RPM is based on motor's synchronous rpm (50Hz:1500rpm, 60Hz:1800rpm) and calculated by dividing gear ratio. Actual rpm is 2~20% less than indicating rpm according to load size.

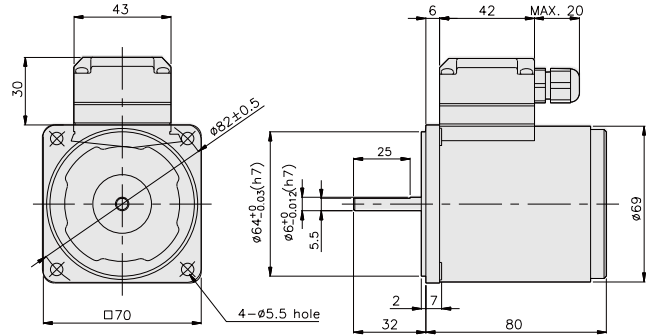
GEARHEADS

DIMENSIONS

K7RS15N□

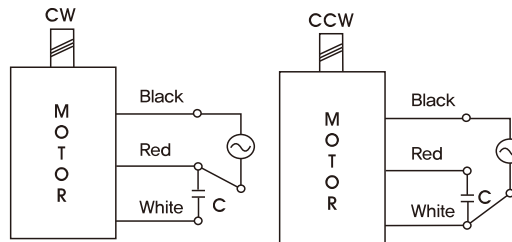


K7RS15N□-T



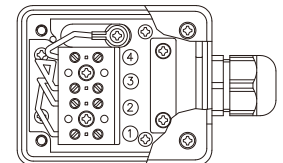
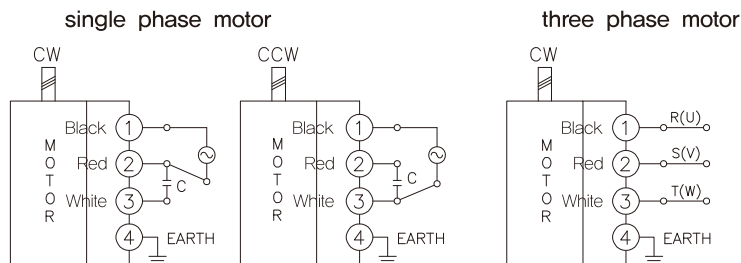
CONNECTION DIAGRAMS

K7RS15N□



※ The direction of motor rotation is as viewed from the front shaft end of the motor

K7RS15N□-T



※ The direction of motor rotation is as viewed from the front shaft end of the motor

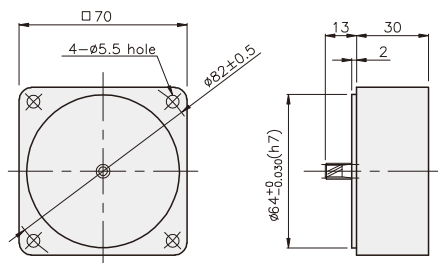
DIMENSIONS

K7G□B(C)



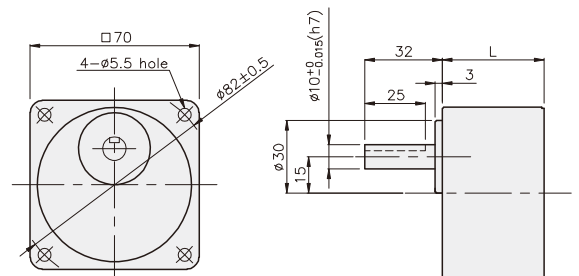
DECIMAL GEARHEAD

K7G10BX



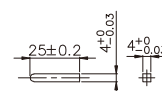
GEARHEAD

K7G□B(C)



• KEY

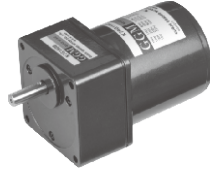
• KEY GROOVE



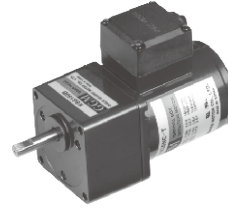
GEARHEADS

DIMENSIONS

K7RG15N□ + K7G□B(C)



K7RG15N□-T + K7G□B(C)



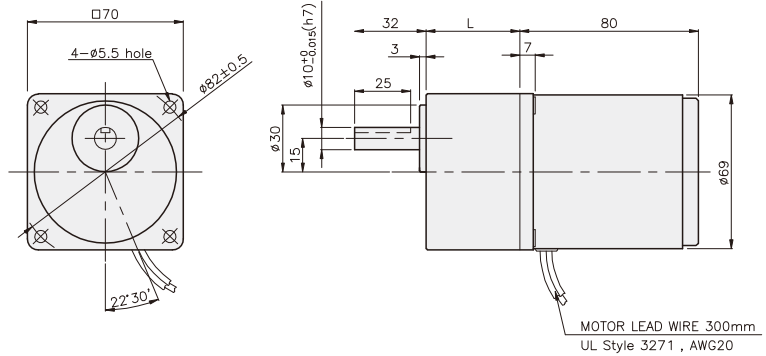
DIMENSION TABLE

| PART No | L | Application Model | Mounting BOLT |
|---------|----|-------------------|---------------|
| 01 | 32 | K7G3~18B(C) | M5 P0,8 X 50 |
| 02 | 42 | K7G20~200B(C) | M5 P0,8 X 65 |
| 03 | 30 | K7G10BX | M5 P0,8 X 90 |

WEIGHT

| PART | WEIGHT(kg) | |
|-------------------|---------------|------|
| MOTOR | 1,07 | |
| DECIMAL GEAR HEAD | 0,32 | |
| GEAR HEAD | K7G3~18B(C) | 0,38 |
| | K7G20~40B(C) | 0,46 |
| | K7G50~200B(C) | 0,51 |

K7RG15N□ + K7G□B(C)



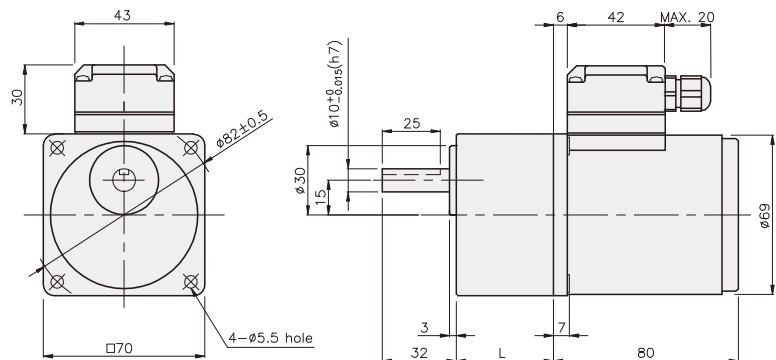
DIMENSION TABLE

| PART No | L | Application Model | Mounting BOLT |
|---------|----|-------------------|---------------|
| 01 | 32 | K7G3~18B(C) | M5 P0,8 X 50 |
| 02 | 42 | K7G20~200B(C) | M5 P0,8 X 65 |
| 03 | 30 | K7G10BX | M5 P0,8 X 90 |

WEIGHT

| PART | WEIGHT(kg) | |
|-------------------|---------------|------|
| MOTOR | 1,10 | |
| DECIMAL GEAR HEAD | 0,32 | |
| GEAR HEAD | K7G3~18B(C) | 0,38 |
| | K7G20~40B(C) | 0,46 |
| | K7G50~200B(C) | 0,51 |

K7RG15N□-T + K7G□B(C)

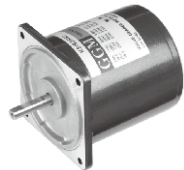


REVERSIBLE MOTOR

25W

□ 80mm LEAD WIRE TYPE
TERMINAL BOX TYPE

K8RS25N□



K8RS25N□-T, T5



SPECIFICATIONS

25W 30 minutes rating, four poles

| Model | Voltage (V) | Frequency (Hz) | Current (A) | Start T. (N*m/Kgf*cm) | Rated T. (N*m/Kgf*cm) | Speed (rpm) | Condenser (μF) |
|-------------------|-------------|----------------|-------------|-----------------------|-----------------------|-------------|----------------|
| K8R□25NJ(-T, -T5) | 100 | 50 | 0,65 | 0,15/1,5 | 0,195/1,95 | 1250 | 10 |
| | | 60 | 0,74 | | | 1500 | |
| K8R□25NU(-T, -T5) | 110 | 60 | 0,51 | 0,13/1,3 | 0,165/1,65 | 1500 | 6 |
| | 115 | | 0,54 | | | | |
| K8R□25NL(-T, -T5) | 200 | 50 | 0,33 | 0,16/1,6 | 0,195/1,95 | 1250 | 2,5 |
| | | 60 | 0,37 | | | 1550 | |
| K8R□25NC(-T, -T5) | 220 | 50 | 0,29 | 0,15/1,5 | 0,195/1,95 | 1250 | 2 |
| | | 60 | 0,34 | | | 1500 | |
| | 230 | 50 | 0,35 | 0,165/1,65 | 0,195/1,95 | 1250 | |
| | | 60 | 0,34 | | | 1500 | |
| K8R□25ND(-T, -T5) | 240 | 50 | 0,32 | 0,15/1,5 | 0,19/1,9 | 1300 | 1,5 |

* □ : SHAFT SHAPE (S : STRAIGHT, G : PINION)

RATED TORQUE OF GEARHEAD

● 50Hz

unit = above : N·m / below : Kgf·cm

| Model | Speed(rpm) | 500 | 416 | 300 | 250 | 200 | 166 | 150 | 120 | 100 | 83 | 75 | 60 | 50 | 41 | 37 | 30 | 25 | 20 | 16 | 15 | 12,5 | 10 | 8,3 | 7,5 | 6 |
|-------------------------------|------------|-------------|-------------|-------------|-------------|--------------|--------------|--------------|--------------|--------------|--------------|--------------|--------------|--------------|--------------|--------------|--------------|--------------|----|----|-----|------|-----|-----|-----|-----|
| Motor/ Gearhead | Ratio | 3 | 3,6 | 5 | 6 | 7,5 | 9 | 10 | 12,5 | 15 | 18 | 20 | 25 | 30 | 36 | 40 | 50 | 60 | 75 | 90 | 100 | 120 | 150 | 180 | 200 | 250 |
| K8R□25N□(-T, -T5) K8G□B(C) | | 0,46 4,6 | 0,55 5,5 | 0,77 7,7 | 0,92 9,2 | 1,15 11,5 | 1,39 13,9 | 1,54 15,4 | 1,92 19,2 | 2,31 23,1 | 2,77 27,7 | 2,77 27,7 | 3,46 34,6 | 4,16 41,6 | 4,99 49,9 | 5,54 55,4 | 6,23 62,3 | 7,48 74,8 | 8 | 8 | 8 | 8 | 8 | 8 | 8 | 8 |

● 60Hz

unit = above : N·m / below : Kgf·cm

| Model | Speed(rpm) | 600 | 500 | 360 | 300 | 240 | 200 | 180 | 144 | 120 | 100 | 90 | 72 | 60 | 50 | 45 | 36 | 30 | 24 | 20 | 18 | 15 | 12 | 10 | 9 | 7,2 |
|-------------------------------|------------|-------------|-------------|-------------|-------------|-------------|--------------|--------------|--------------|--------------|--------------|--------------|--------------|--------------|--------------|--------------|--------------|--------------|--------------|----|-----|-----|-----|-----|-----|-----|
| Motor/ Gearhead | Ratio | 3 | 3,6 | 5 | 6 | 7,5 | 9 | 10 | 12,5 | 15 | 18 | 20 | 25 | 30 | 36 | 40 | 50 | 60 | 75 | 90 | 100 | 120 | 150 | 180 | 200 | 250 |
| K8R□25N□(-T, -T5) K8G□B(C) | | 0,39 3,9 | 0,47 4,7 | 0,65 6,5 | 0,78 7,8 | 0,97 9,7 | 1,17 11,7 | 1,30 13,0 | 1,62 16,2 | 1,94 19,4 | 2,33 23,3 | 2,33 23,3 | 2,92 29,2 | 3,50 35,0 | 4,20 42,0 | 4,67 46,7 | 5,25 52,5 | 6,30 63,0 | 7,87 78,7 | 8 | 8 | 8 | 8 | 8 | 8 | 8 |

* Gearhead and decimal gearhead are sold separately.

* The code in □ of gearhead model is for gear ratio.

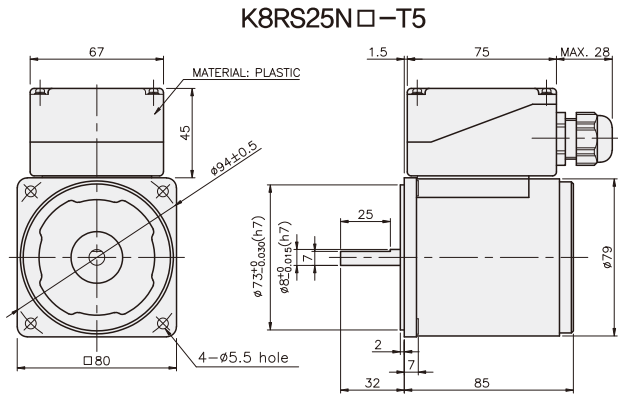
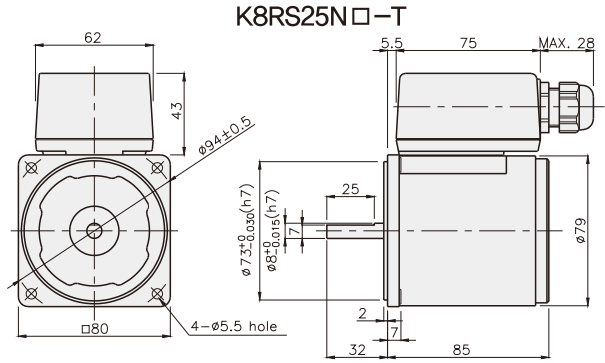
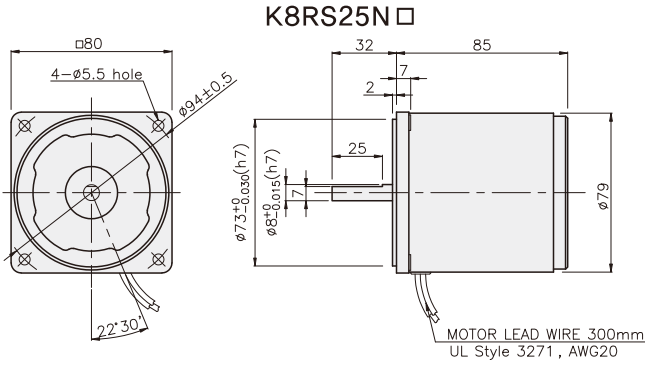
* ■ color indicates that the output shaft of the geared motor rotates in the same direction as the output shaft of the motor. Others indicate rotation in the opposite direction.

* If you are to have less ratio than the ratio in the table, you can install the decimal gearhead, which has one tenth of the ratio, between the gearhead and the motor. In this case, the permissible torque is 8N·m/80kgf·cm. But, if you install 1/25~1/40 gearhead, the permissible torque is 6N·m/60kgf·cm.

* RPM is based on motor's synchronous rpm (50HZ:1500rpm, 60HZ:1800rpm) and calculated by dividing gear ratio. Actual rpm is 2~20% less than indicating rpm according to load size.

GEARHEADS

DIMENSIONS

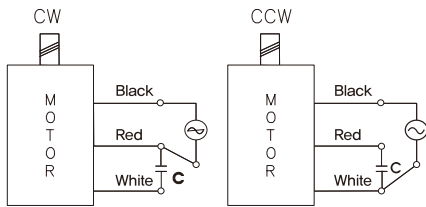


REVERSIBLE MOTORS

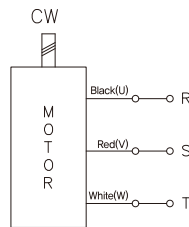
CONNECTION DIAGRAMS

K8RS25N □

single phase motor



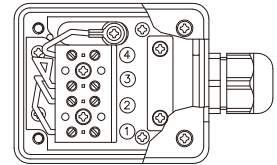
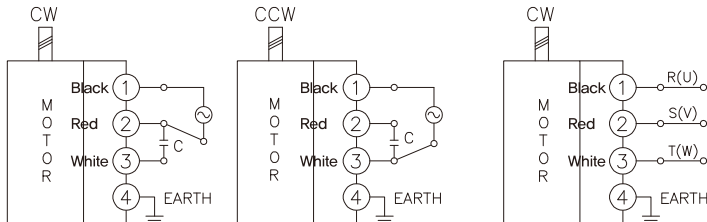
three phase motor



connecting two leadwires of U,V,W in turns

※The direction of motor rotation is as viewed from the front shaft end of the motor

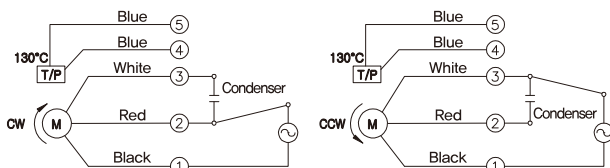
K8RS25N □-T



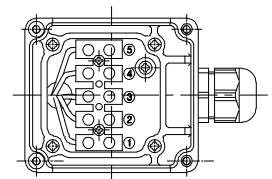
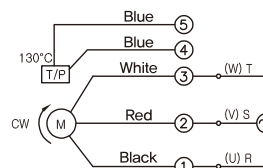
※The direction of motor rotation is as viewed from the front shaft end of the motor

K8RS25N □-T5

single phase motor



three phase motor



connecting two leadwires of U,V,W in turns

※The direction of motor rotation is as viewed from the front shaft end of the motor

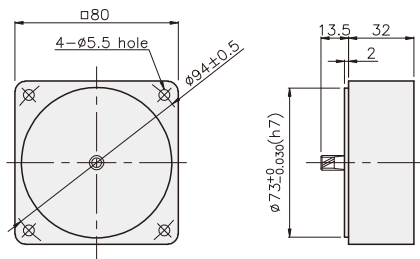
GEARHEADS

DIMENSIONS

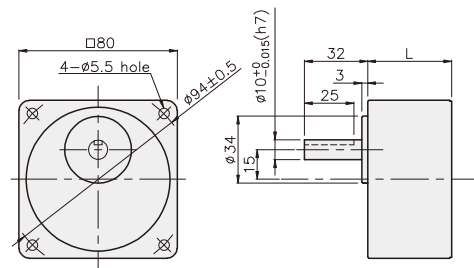
K8G□B(C)



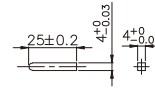
DECIMAL GEARHEAD
K8G10BX



GEAR HEAD
K8G□B(C)



• KEY



• KEY GROOVE



GEARHEADS

DIMENSIONS

K8RG25N□ + K8G□B(C)



K8RG25N□-T(-T5) + K8G□B(C)



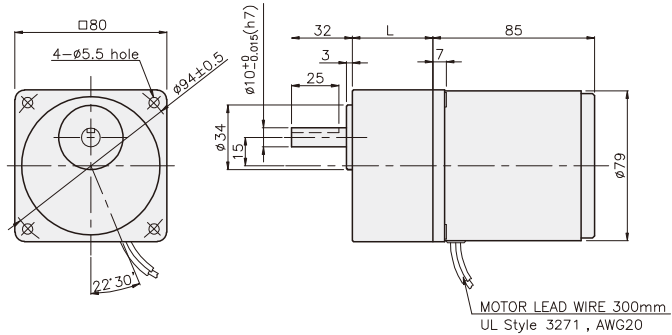
DIMENSION TABLE

| PART No | L | Application Model | Mounting BOLT |
|---------|------|-------------------|---------------|
| 01 | 32 | K8G3~18B(C) | M5 P0,8 X 50 |
| 02 | 42,5 | K8G20~250B(C) | M5 P0,8 X 65 |
| 03 | 32 | K8G10BX | M5 P0,8 X 95 |

WEIGHT

| PART | WEIGHT(kg) | |
|-------------------|---------------|------|
| MOTOR | 1,58 | |
| DECIMAL GEAR HEAD | 0,46 | |
| GEAR HEAD | K8G3~18B(C) | 0,51 |
| | K8G20~40B(C) | 0,64 |
| | K8G50~250B(C) | 0,70 |

K8RG25N□ + K8G□B(C)



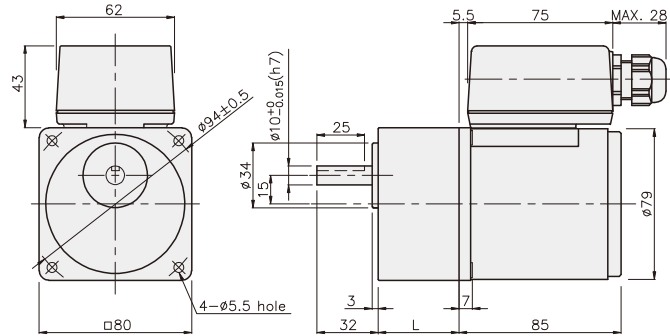
DIMENSION TABLE

| PART No | L | Application Model | Mounting BOLT |
|---------|------|-------------------|---------------|
| 01 | 32 | K8G3~18B(C) | M5 P0,8 X 50 |
| 02 | 42,5 | K8G20~250B(C) | M5 P0,8 X 60 |
| 03 | 32 | K8G10BX | M5 P0,8 X 95 |

WEIGHT

| PART | WEIGHT(kg) | |
|-------------------|---------------|------|
| MOTOR | 1,76 | |
| DECIMAL GEAR HEAD | 0,46 | |
| GEAR HEAD | K8G3~18B(C) | 0,51 |
| | K8G20~40B(C) | 0,64 |
| | K8G50~250B(C) | 0,70 |

K8RG25N□-T + K8G□B(C)



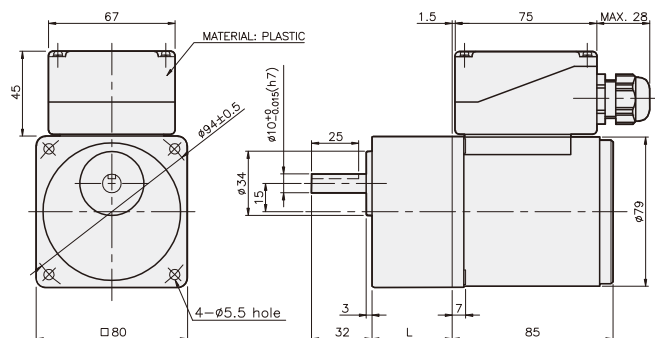
DIMENSION TABLE

| PART No | L | Application Model | Mounting BOLT |
|---------|------|-------------------|---------------|
| 01 | 32 | K8G3~18B(C) | M5 P0,8 X 50 |
| 02 | 42,5 | K8G20~250B(C) | M5 P0,8 X 60 |
| 03 | 32 | K8G10BX | M5 P0,8 X 95 |

WEIGHT

| PART | WEIGHT(kg) | |
|-------------------|---------------|------|
| MOTOR | 1,76 | |
| DECIMAL GEAR HEAD | 0,46 | |
| GEAR HEAD | K8G3~18B(C) | 0,51 |
| | K8G20~40B(C) | 0,64 |
| | K8G50~250B(C) | 0,70 |

K8RG25N□-T5 + K8G□B(C)

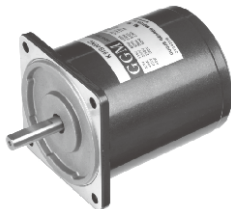


REVERSIBLE MOTOR

40W

□ 90mm LEAD WIRE TYPE
TERMINAL BOX TYPE

K9RS40N□



K9RS40N□-T, T5



SPECIFICATIONS

40W 30 minutes rating, four poles

| Model | Voltage (V) | Frequency (Hz) | Current (A) | Start T. (N*m/Kgf*cm) | Rated T. (N*m/Kgf*cm) | Speed (rpm) | Condenser (μF) |
|-------------------|-------------|----------------|-------------|-----------------------|-----------------------|-------------|----------------|
| K9R□40NJ(-T, -T5) | 100 | 50 | 1 | 0,3/3 | 0,315/3,15 | 1250 | 16 |
| | | 60 | 1,13 | 0,33/3,3 | 0,255/2,55 | 1550 | |
| K9R□40NU(-T, -T5) | 110 | 60 | 0,8 | 0,2/2 | 0,26/2,6 | 1500 | 10 |
| | 115 | | 0,83 | 0,22/2,2 | | | |
| K9R□40NL(-T, -T5) | 200 | 50 | 0,45 | 0,3/3 | 0,315/3,15 | 1250 | 4 |
| | | 60 | 0,57 | | 0,26/2,6 | 1500 | |
| K9R□40NC(-T, -T5) | 220 | 50 | 0,46 | 0,3/3 | 0,315/3,15 | 1250 | 3,5 |
| | | 60 | 0,55 | 0,32/3,2 | 0,26/2,6 | 1500 | |
| | 230 | 50 | 0,55 | 0,4/4 | 0,315/3,15 | 1250 | |
| | | 60 | 0,58 | 0,36/3,6 | 0,26/2,6 | 1500 | |
| K9R□40ND(-T, -T5) | 240 | 50 | 0,41 | 0,34/3,4 | 0,3/3 | 1300 | 3 |

□ : SHAFT SHAPE (S : STRAIGHT, G : PINION)

RATED TORQUE OF GEARHEAD

● 50Hz

unit = above : N·m / below : Kg·cm

| Model | Speed(rpm) | 500 | 416 | 300 | 250 | 200 | 166 | 150 | 120 | 100 | 83 | 75 | 60 | 50 | 41 | 37 | 30 | 25 | 20 | 16 | 15 | 12,5 | 10 | 8,3 | 7,5 |
|-------------------------------|------------|------|------|------|------|------|------|------|------|------|------|------|------|------|------|-----|-----|-----|-----|-----|-----|------|-----|-----|-----|
| Motor/ Gearhead | Ratio | 3 | 3,6 | 5 | 6 | 7,5 | 9 | 10 | 12,5 | 15 | 18 | 20 | 25 | 30 | 36 | 40 | 50 | 60 | 75 | 90 | 100 | 120 | 150 | 180 | 200 |
| K9R□40N□(-T, -T5) K9G□B(C) | 0,73 | 0,87 | 1,22 | 1,46 | 1,82 | 2,19 | 2,43 | 3,04 | 3,65 | 4,37 | 4,37 | 5,47 | 6,56 | 7,87 | 8,75 | 10 | 10 | 10 | 10 | 10 | 10 | 10 | 10 | 10 | 10 |
| | 7,3 | 8,7 | 12,2 | 14,6 | 18,2 | 21,9 | 24,3 | 30,4 | 36,5 | 43,7 | 43,7 | 54,7 | 65,6 | 78,7 | 87,5 | 100 | 100 | 100 | 100 | 100 | 100 | 100 | 100 | 100 | 100 |

● 60Hz

unit = above : N·m / below : Kg·cm

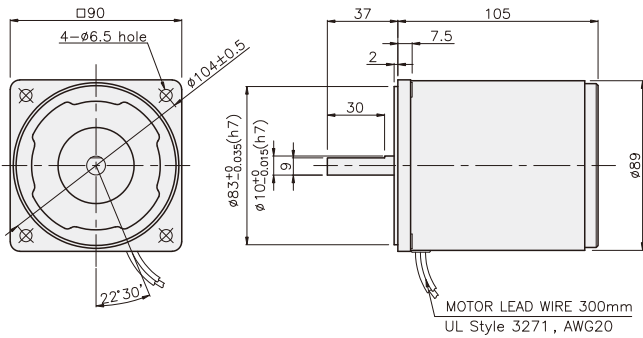
| Model | Speed(rpm) | 600 | 500 | 360 | 300 | 240 | 200 | 180 | 144 | 120 | 100 | 90 | 72 | 60 | 50 | 45 | 36 | 30 | 24 | 20 | 18 | 15 | 12 | 10 | 9 |
|-------------------------------|------------|------|------|------|------|------|------|------|------|------|------|------|------|------|------|------|-----|-----|-----|-----|-----|-----|-----|-----|-----|
| Motor/ Gearhead | Ratio | 3 | 3,6 | 5 | 6 | 7,5 | 9 | 10 | 12,5 | 15 | 18 | 20 | 25 | 30 | 36 | 40 | 50 | 60 | 75 | 90 | 100 | 120 | 150 | 180 | 200 |
| K9R□40N□(-T, -T5) K9G□B(C) | 0,62 | 0,74 | 1,03 | 1,24 | 1,55 | 1,86 | 2,07 | 2,58 | 3,10 | 3,72 | 3,72 | 4,65 | 5,58 | 6,69 | 7,44 | 8,37 | 10 | 10 | 10 | 10 | 10 | 10 | 10 | 10 | 10 |
| | 6,2 | 7,4 | 10,3 | 12,4 | 15,5 | 18,6 | 20,7 | 25,8 | 31,0 | 37,2 | 37,2 | 46,5 | 55,8 | 66,9 | 74,4 | 83,7 | 100 | 100 | 100 | 100 | 100 | 100 | 100 | 100 | 100 |

- * Gearhead and decimal gearhead are sold separately.
- * The code in □ of gearhead model is for gear ratio.
- * ■ color indicates that the output shaft of the geared motor rotates in the same direction as the output shaft of the motor. Others indicate rotation in the opposite direction.
- * If you are to have less ratio than the ratio in the table, you can install the decimal gearhead, which has one tenth of the ratio, between the gearhead and the motor. In this case, the permissible torque is 10N·m/100kgf·cm.
- * RPM is based on motor's synchronous rpm (50HZ:1500rpm, 60HZ:1800rpm) and calculated by dividing gear ratio. Actual rpm is 2~20% less than indicating rpm according to load size.

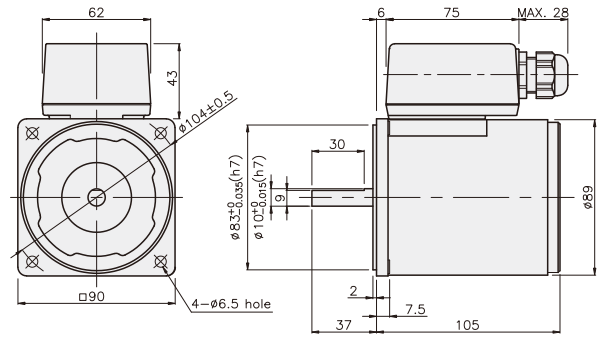
GEARHEADS

DIMENSIONS

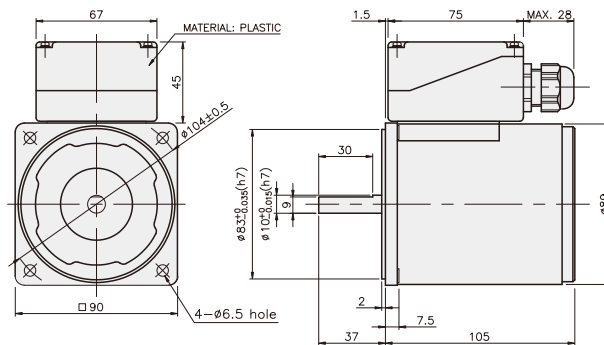
K9RS40N□



K9RS40N□-T



K9RS40N□-T5

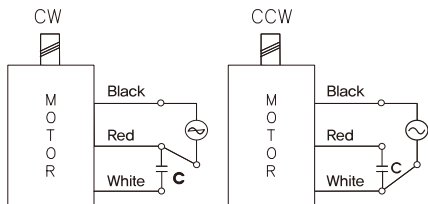


REVERSIBLE MOTORS

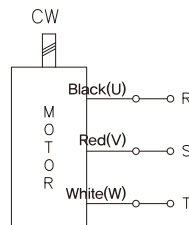
CONNECTION DIAGRAMS

K9RS40N□

single phase motor



three phase motor

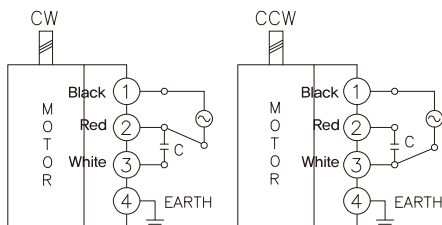


connecting two leadwires of U,V,W in turns

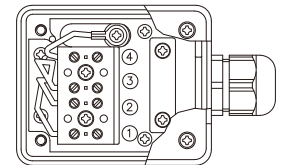
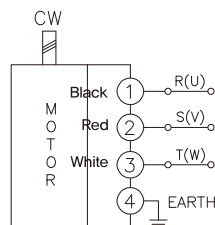
※The direction of motor rotation is as viewed from the front shaft end of the motor

K9RS40N□-T

single phase motor



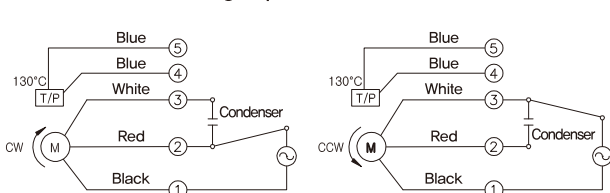
three phase motor



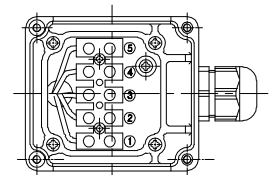
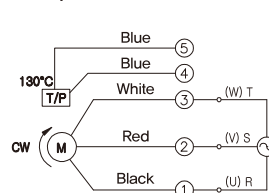
※The direction of motor rotation is as viewed from the front shaft end of the motor

K9RS40N□-T5

single phase motor



three phase motor



connecting two leadwires of U,V,W in turns

※The direction of motor rotation is as viewed from the front shaft end of the motor

GEARHEADS

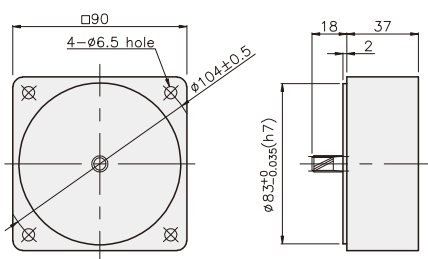
DIMENSIONS

K9G□B(C)



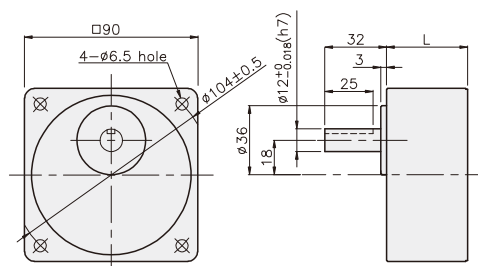
DECIMAL GEARHEAD

K9G10BX



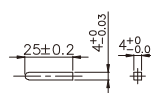
GEAR HEAD

K9G□B(C)



• KEY

• KEY GROOVE



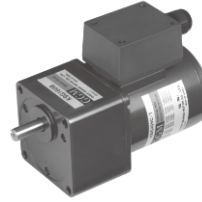
GEARHEADS

DIMENSIONS

K9RG40N□ + K9G□B(C)



K9RG40N□-T(-T5) + K9G□B(C)



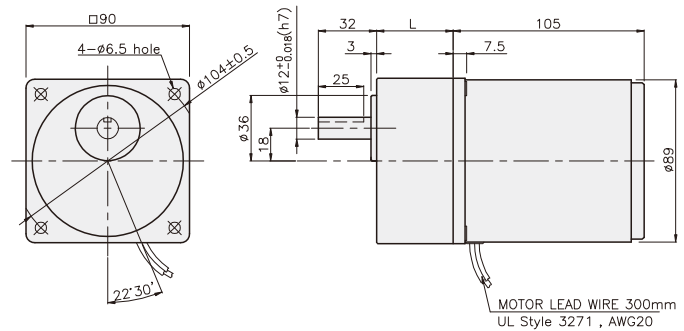
DIMENSION TABLE

| PART No | L | Application Model | Mounting BOLT |
|---------|----|-------------------|---------------|
| 01 | 42 | K9G3~18B(C) | M6 P1,0 X 65 |
| 02 | 60 | K9G20~200B(C) | M6 P1,0 X 80 |
| 03 | 37 | K9G10BX | M6 P1,0 X 120 |

WEIGHT

| PART | WEIGHT(kg) | |
|-------------------|---------------|------|
| MOTOR | 2,36 | |
| DECIMAL GEAR HEAD | 0,60 | |
| GEAR HEAD | K9G3~18B(C) | 0,78 |
| | K9G20~40B(C) | 1,04 |
| | K9G50~200B(C) | 1,14 |

K9RG40N□ + K9G□B(C)



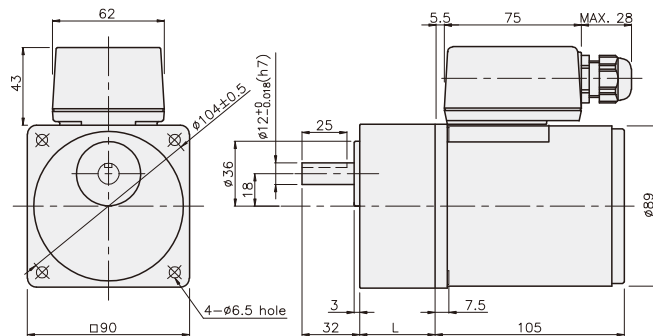
DIMENSION TABLE

| PART No | L | Application Model | Mounting BOLT |
|---------|----|-------------------|---------------|
| 01 | 42 | K9G3~18B(C) | M5 P1,0 X 65 |
| 02 | 60 | K9G20~200B(C) | M5 P1,0 X 80 |
| 03 | 37 | K9G10BX | M5 P1,0 X 120 |

WEIGHT

| PART | WEIGHT(kg) | |
|-------------------|---------------|------|
| MOTOR | 2,52 | |
| DECIMAL GEAR HEAD | 0,60 | |
| GEAR HEAD | K9G3~18B(C) | 0,78 |
| | K9G20~40B(C) | 1,04 |
| | K9G50~200B(C) | 1,14 |

K9RG40N□-T + K9G□B(C)



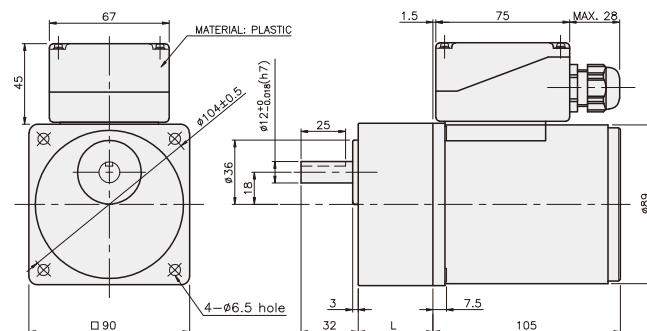
DIMENSION TABLE

| PART No | L | Application Model | Mounting BOLT |
|---------|----|-------------------|---------------|
| 01 | 42 | K9G3~18B(C) | M5 P1,0 X 65 |
| 02 | 60 | K9G20~200B(C) | M5 P1,0 X 80 |
| 03 | 37 | K9G10BX | M5 P1,0 X 120 |

WEIGHT

| PART | WEIGHT(kg) | |
|-------------------|---------------|------|
| MOTOR | 2,52 | |
| DECIMAL GEAR HEAD | 0,60 | |
| GEAR HEAD | K9G3~18B(C) | 0,78 |
| | K9G20~40B(C) | 1,04 |
| | K9G50~200B(C) | 1,14 |

K9RG40N□-T5 + K9G□B(C)

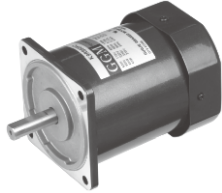


REVERSIBLE MOTOR

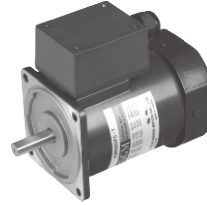
60W

□ 90mm LEAD WIRE TYPE
TERMINAL BOX TYPE

K9RS60F□



K9RS60F□-T, T5



SPECIFICATIONS

60W 30 minutes rating, four poles

| Model | Voltage (V) | Frequency (Hz) | Current (A) | Start T. (N*m/Kgf*cm) | Rated T. (N*m/Kgf*cm) | Speed (rpm) | Condenser (μF) |
|-------------------|-------------|----------------|-------------|-----------------------|-----------------------|-------------|----------------|
| single-phase | | | | | | | |
| K9R□60FJ(-T, -T5) | 100 | 50 | 1.48 | 0.48/4.8 | 0.47/4.7 | 1250 | 25 |
| | | | 60 | | | | |
| K9R□60FU(-T, -T5) | 110 | 60 | 1.25 | 0.4/4 | 0.38/3.8 | 1550 | 17 |
| | 115 | | 1.31 | | | | |
| K9R□60FL(-T, -T5) | 200 | 50 | 0.72 | 0.5/5 | 0.47/4.7 | 1250 | 6 |
| | | 60 | 0.76 | 0.44/4.4 | 0.39/3.9 | 1500 | |
| K9R□60FC(-T, -T5) | 220 | 50 | 0.69 | 0.45/4.5 | 0.47/4.7 | 1250 | 5 |
| | | 60 | 0.76 | 0.48/4.8 | 0.38/3.8 | 1550 | |
| | 230 | 50 | 0.77 | 0.5/5 | 0.47/4.7 | 1250 | |
| | | 60 | 0.79 | | 0.38/3.8 | 1550 | |
| K9R□60FD(-T, -T5) | 240 | 50 | 0.75 | 0.5/5 | 0.47/4.7 | 1250 | 5 |

* □ : SHAFT SHAPE (S : STRAIGHT, P : PINION)

RATED TORQUE OF GEARHEAD

● 50Hz

unit = above : N·m / below : Kgf·cm

| Model | Speed(rpm) | 500 | 416 | 300 | 250 | 200 | 166 | 150 | 120 | 100 | 83 | 75 | 60 | 50 | 41 | 37 | 30 | 25 | 20 | 16 | 15 | 12.5 | 10 | 8.3 | 7.5 |
|--------------------------------|------------|------|------|------|------|------|------|------|------|------|------|------|------|------|-------|-------|-------|-------|-----|-----|-----|------|-----|-----|-----|
| Motor/ Gearhead | Ratio | 3 | 3.6 | 5 | 6 | 7.5 | 9 | 10 | 12.5 | 15 | 18 | 20 | 25 | 30 | 36 | 40 | 50 | 60 | 75 | 90 | 100 | 120 | 150 | 180 | 200 |
| K9R□60F□(-T, -T5) K9P□B, BF | | 1.14 | 1.37 | 1.90 | 2.28 | 2.86 | 3.43 | 3.81 | 4.28 | 5.14 | 6.17 | 6.85 | 7.71 | 9.25 | 11.10 | 12.33 | 15.42 | 18.50 | 20 | 20 | 20 | 20 | 20 | 20 | 20 |
| | | 11.4 | 13.7 | 19.0 | 22.8 | 28.6 | 34.3 | 38.1 | 42.8 | 51.4 | 61.7 | 68.5 | 77.1 | 92.5 | 111.0 | 123.3 | 154.2 | 185 | 200 | 200 | 200 | 200 | 200 | 200 | 200 |

● 60Hz

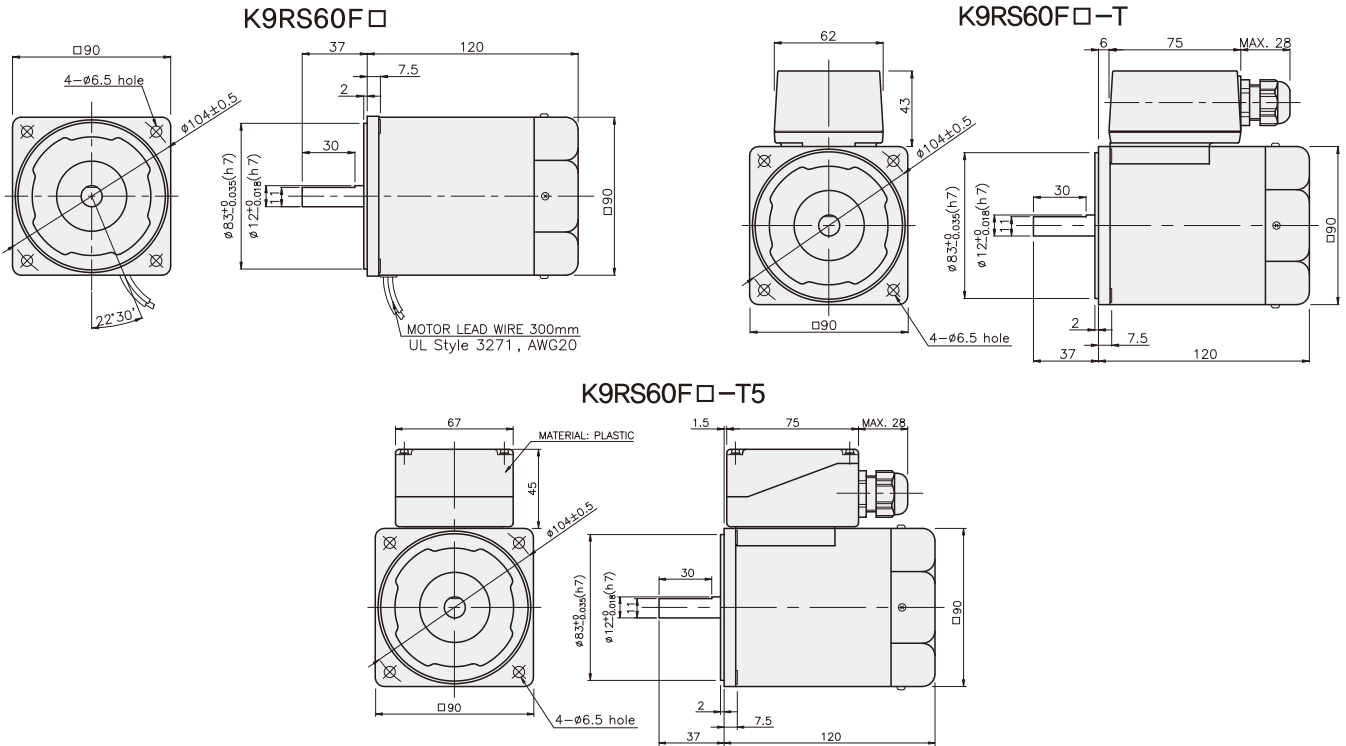
unit = above : N·m / below : Kgf·cm

| Model | Speed(rpm) | 600 | 500 | 360 | 300 | 240 | 200 | 180 | 144 | 120 | 100 | 90 | 72 | 60 | 50 | 45 | 36 | 30 | 24 | 20 | 18 | 15 | 12 | 10 | 9 |
|--------------------------------|------------|------|------|------|------|------|------|------|------|------|------|------|------|------|------|------|-------|-------|-------|-----|-----|-----|-----|-----|-----|
| Motor/ Gearhead | Ratio | 3 | 3.6 | 5 | 6 | 7.5 | 9 | 10 | 12.5 | 15 | 18 | 20 | 25 | 30 | 36 | 40 | 50 | 60 | 75 | 90 | 100 | 120 | 150 | 180 | 200 |
| K9R□60F□(-T, -T5) K9P□B, BF | | 0.92 | 1.11 | 1.54 | 1.85 | 2.31 | 2.77 | 3.08 | 3.46 | 4.16 | 4.99 | 5.54 | 6.23 | 7.48 | 8.98 | 9.97 | 12.47 | 14.96 | 16.83 | 20 | 20 | 20 | 20 | 20 | 20 |
| | | 9.2 | 11.1 | 15.4 | 18.5 | 23.1 | 27.7 | 30.8 | 34.6 | 41.6 | 49.9 | 55.4 | 62.3 | 74.8 | 89.8 | 99.7 | 124.7 | 149.6 | 168.3 | 200 | 200 | 200 | 200 | 200 | 200 |

- * Gearhead and decimal gearhead are sold separately.
- * The code in □ of gearhead model is for gear ratio.
- * color indicates that the output shaft of the geared motor rotates in the same direction as the output shaft of the motor. Others indicate rotation in the opposite direction.
- * If you are to have less ratio than the ratio in the table, you can install the decimal gearhead, which has one tenth of the ratio, between the gearhead and the motor. In this case, the permissible torque is 20N·m/200kgf·cm.
- * RPM is based on motor's synchronous rpm (50HZ:1500rpm, 60HZ:1800rpm) and calculated by dividing gear ratio. Actual rpm is 2~20% less than indicating rpm according to load size.

GEARHEADS

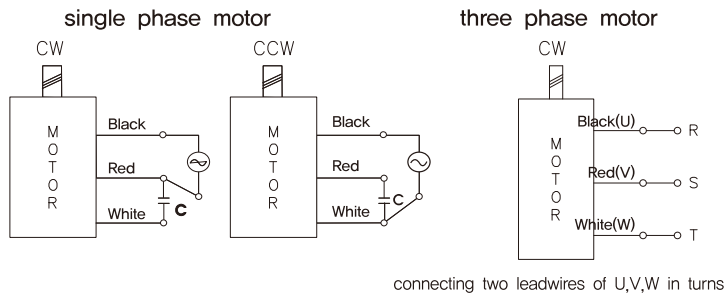
DIMENSIONS



REVERSIBLE MOTORS

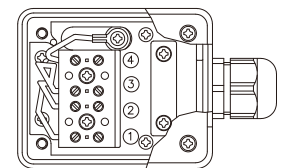
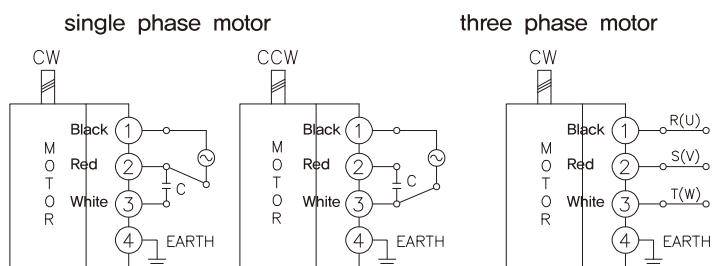
CONNECTION DIAGRAMS

K9RS60F□



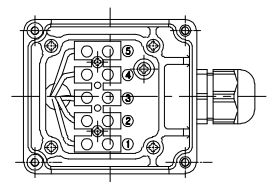
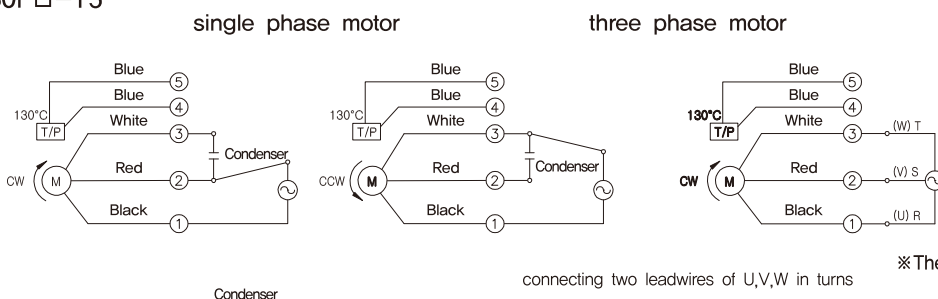
※The direction of motor rotation is as viewed from the front shaft end of the motor

K9RS60F□-T



※The direction of motor rotation is as viewed from the front shaft end of the motor

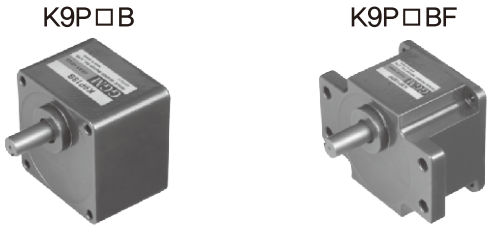
K9RS60F□-T5



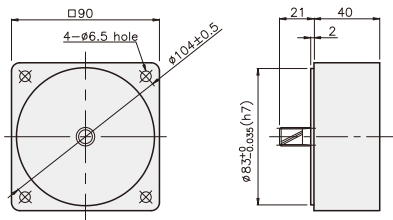
※The direction of motor rotation is as viewed from the front shaft end of the motor

GEARHEADS

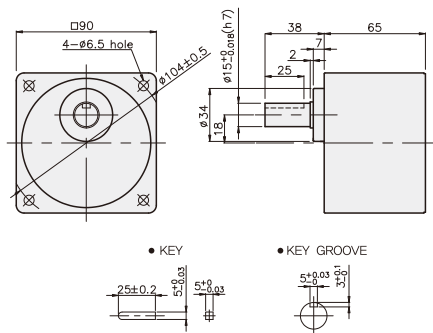
DIMENSIONS



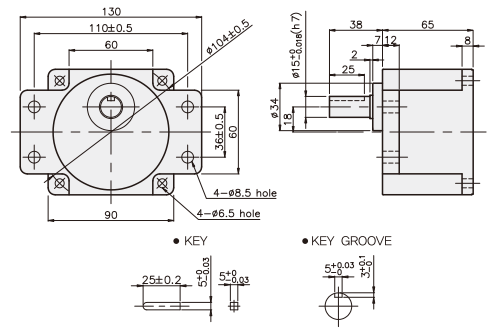
DECIMAL GEARHEAD
K9P10BX



GEAR HEAD
K9P□B



GEARHEAD
K9P□BF



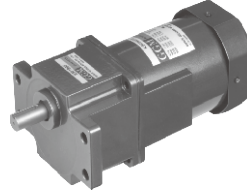
GEARHEADS

DIMENSIONS

K9RP60F□ + K9P□B



K9RP60F□ + K9P□BF



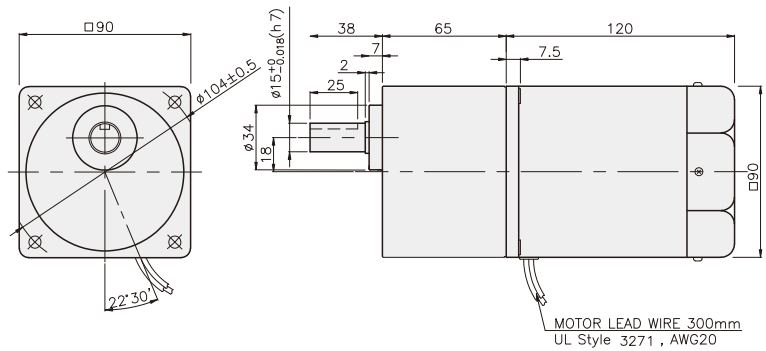
DIMENSION TABLE

| PART No. | L | Application Model | Mounting BOLT |
|----------|----|-------------------|---------------|
| 01 | 65 | K9P3~200B | M6 P1,0 X 95 |
| 02 | 40 | K9P10BX | M6 P1,0 X 140 |

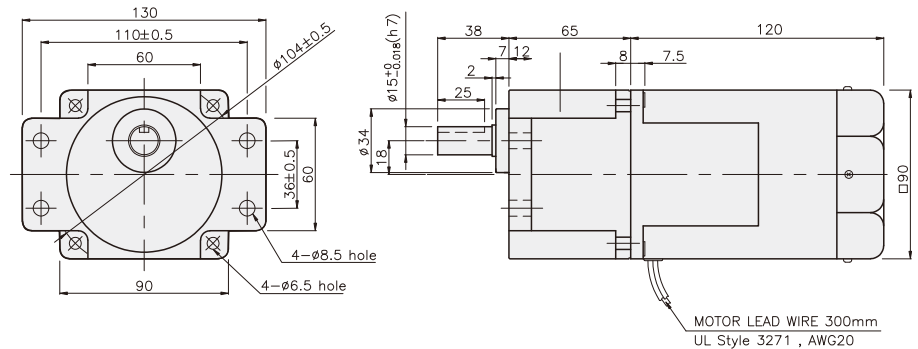
WEIGHT

| PART | WEIGHT(kg) | |
|-------------------|-------------|------|
| MOTOR | 2,50 | |
| DECIMAL GEAR HEAD | 0,62 | |
| GEAR HEAD | K9P3~10B | 1,22 |
| | K9P12,5~20B | 1,32 |
| | K9P25~60B | 1,42 |
| | K9P75~200B | 1,45 |

K9RP60F□ + K9P□B



K9RP60F□ + K9P□BF



DIMENSION TABLE

| PART No. | L | Application Model | Mounting BOLT |
|----------|----|-------------------|---------------|
| 01 | 65 | K9P3~200BF | M6 P1,0 X 25 |
| 02 | 40 | K9P10BX | M6 P1,0 X 65 |

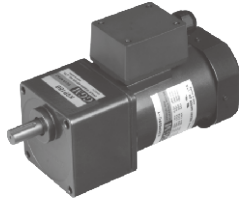
WEIGHT

| PART | WEIGHT(kg) | |
|-------------------|--------------|------|
| MOTOR | 3,00 | |
| DECIMAL GEAR HEAD | 0,62 | |
| GEAR HEAD | K9P3~10BF | 1,22 |
| | K9P12,5~20BF | 1,30 |
| | K9P25~60BF | 1,42 |
| | K9P75~200BF | 1,44 |

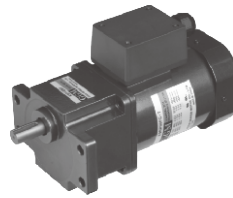
GEARHEADS

DIMENSIONS

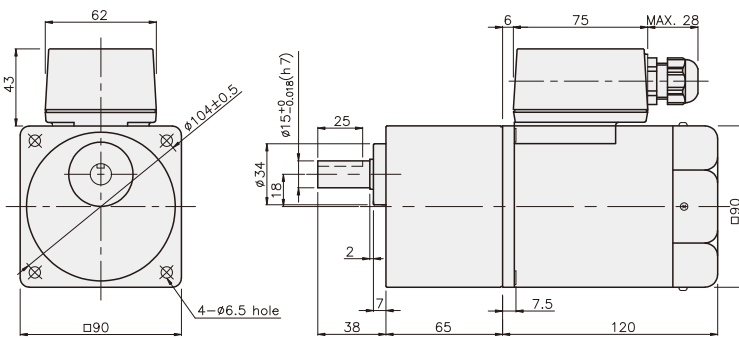
K9RP60F□-T + K9P□B



K9RP60F□-T + K9P□BF



K9RP60F□-T + K9P□B



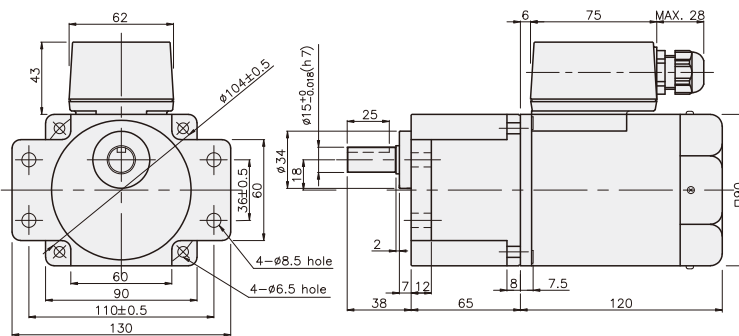
DIMENSION TABLE

| PART No | L | Application Model | Mounting BOLT |
|---------|----|-------------------|---------------|
| 01 | 65 | K9P3~200B | M6 P1.0 X 95 |
| 02 | 40 | K9P10BX | M6 P1.0 X 140 |

WEIGHT

| PART | WEIGHT(kg) | |
|-------------------|-------------|------|
| MOTOR | 2,68 | |
| DECIMAL GEAR HEAD | 0,62 | |
| GEAR HEAD | K9P3~10B | 1,22 |
| | K9P12,5~20B | 1,32 |
| | K9P25~60B | 1,42 |
| | K9P75~200B | 1,45 |

K9RP60F□-T + K9P□BF



DIMENSION TABLE

| PART No | L | Application Model | Mounting BOLT |
|---------|----|-------------------|---------------|
| 01 | 65 | K9P3~200B | M6 P1.0 X 95 |
| 02 | 40 | K9P10BX | M6 P1.0 X 140 |

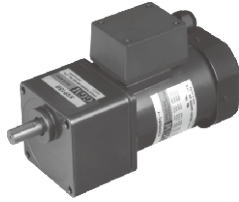
WEIGHT

| PART | WEIGHT(kg) | |
|-------------------|--------------|------|
| MOTOR | 2,68 | |
| DECIMAL GEAR HEAD | 0,62 | |
| GEAR HEAD | K9P3~10BF | 1,22 |
| | K9P12,5~20BF | 1,32 |
| | K9P25~60BF | 1,42 |
| | K9P75~200BF | 1,45 |

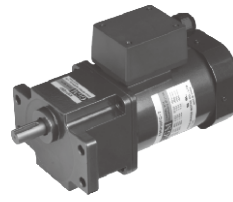
GEARHEADS

DIMENSIONS

K9RP60F□-T5 + K9P□B



K9RP60F□-T5 + K9P□BF



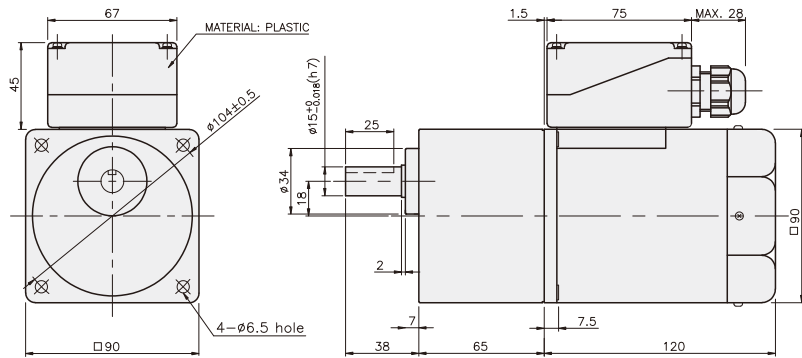
DIMENSION TABLE

| PART No. | L | Application Model | Mounting BOLT |
|----------|----|-------------------|---------------|
| 01 | 65 | K9P3~200B | M6 P1,0 X 95 |
| 02 | 40 | K9P10BX | M6 P1,0 X 140 |

WEIGHT

| PART | WEIGHT(kg) | |
|-------------------|-------------|------|
| MOTOR | 2,68 | |
| DECIMAL GEAR HEAD | 0,62 | |
| GEAR HEAD | K9P3~10B | 1,22 |
| | K9P12,5~20B | 1,32 |
| | K9P25~60B | 1,42 |
| | K9P75~200B | 1,45 |

K9RP60F□-T5 + K9P□B



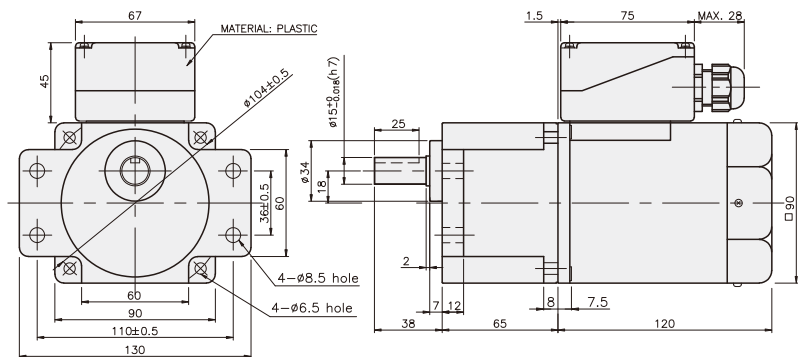
DIMENSION TABLE

| PART No. | L | Application Model | Mounting BOLT |
|----------|----|-------------------|---------------|
| 01 | 65 | K9P3~200B | M6 P1,0 X 95 |
| 02 | 40 | K9P10BX | M6 P1,0 X 140 |

WEIGHT

| PART | WEIGHT(kg) | |
|-------------------|--------------|------|
| MOTOR | 2,68 | |
| DECIMAL GEAR HEAD | 0,62 | |
| GEAR HEAD | K9P3~10BF | 1,22 |
| | K9P12,5~20BF | 1,32 |
| | K9P25~60BF | 1,42 |
| | K9P75~200BF | 1,45 |

K9RP60F□-T5 + K9P□BF

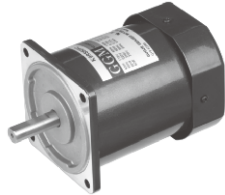


REVERSIBLE MOTOR

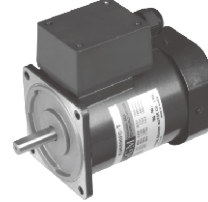
90W

□ 90mm LEAD WIRE TYPE
TERMINAL BOX TYPE

K9RS90F□



K9RS90F□-T, T5



SPECIFICATIONS

90W 30 minutes rating, four poles

| Model | Voltage (V) | Frequency (Hz) | Current (A) | Start T. (N*m/Kgf*cm) | Rated T. (N*m/Kgf*cm) | Speed (rpm) | Condenser (μF) |
|-------------------|-------------|----------------|-------------|-----------------------|-----------------------|-------------|----------------|
| K9R□90FJ(-T, -T5) | 100 | 50 | 2,52 | 0,6/6 | 0,705/7,05 | 1250 | 35 |
| | | 60 | 2,42 | | | 1550 | |
| K9R□90FU(-T, -T5) | 110 | 60 | 1,88 | 0,55/5,5 | 0,57/5,7 | 1550 | 25 |
| | 115 | | 2,12 | | | | |
| K9R□90FL(-T, -T5) | 220 | 50 | 0,9 | 0,55/5,5 | 0,705/7,05 | 1250 | 8 |
| | | 60 | 1,1 | | | 1550 | |
| K9R□90FC(-T, -T5) | 220 | 50 | 1 | 0,5/5 | 0,705/7,05 | 1250 | 7 |
| | | 60 | 1,1 | 0,53/5,3 | 0,57/5,7 | 1550 | |
| | 230 | 50 | 1,3 | 0,6/6 | 0,705/7,05 | 1250 | |
| | | 60 | 1,1 | | | 1550 | |
| K9R□90FD(-T, -T5) | 240 | 50 | 0,94 | 0,55/5,5 | 0,705/7,05 | 1250 | 6 |

* □ : SHAFT SHAPE (S : STRAIGHT, P : PINION)

RATED TORQUE OF GEARHEAD

● 50Hz

unit = above : N·m / below : Kgf·cm

| Model | Speed(rpm) | 500 | 416 | 300 | 250 | 200 | 166 | 150 | 120 | 100 | 83 | 75 | 60 | 50 | 41 | 37 | 30 | 25 | 20 | 16 | 15 | 12,5 | 10 | 8,3 | 7,5 |
|--------------------------------|------------|------|------|------|------|------|------|------|------|------|------|-------|-------|-------|-------|-------|-----|-----|-----|-----|-----|------|-----|-----|-----|
| Motor/ Gearhead | Ratio | 3 | 3,6 | 5 | 6 | 7,5 | 9 | 10 | 12,5 | 15 | 18 | 20 | 25 | 30 | 36 | 40 | 50 | 60 | 75 | 90 | 100 | 120 | 150 | 180 | 200 |
| K9R□90F□(-T, -T5) K9P□B, BF | | 1,71 | 2,06 | 2,86 | 3,43 | 4,28 | 5,14 | 5,71 | 6,42 | 7,71 | 9,25 | 10,28 | 11,56 | 13,88 | 16,65 | 18,5 | 20 | 20 | 20 | 20 | 20 | 20 | 20 | 20 | 20 |
| | | 17,1 | 20,6 | 28,6 | 34,3 | 42,8 | 51,4 | 57,1 | 64,2 | 77,1 | 92,5 | 102,8 | 115,6 | 138,8 | 166,5 | 185,0 | 200 | 200 | 200 | 200 | 200 | 200 | 200 | 200 | 200 |

● 60Hz

unit = above : N·m / below : Kgf·cm

| Model | Speed(rpm) | 600 | 500 | 360 | 300 | 240 | 200 | 180 | 144 | 120 | 100 | 90 | 72 | 60 | 50 | 45 | 36 | 30 | 24 | 20 | 18 | 15 | 12 | 10 | 9 |
|--------------------------------|------------|------|------|------|------|------|------|------|------|------|------|------|------|-------|-------|-------|------|-----|-----|-----|-----|-----|-----|-----|-----|
| Motor/ Gearhead | Ratio | 3 | 3,6 | 5 | 6 | 7,5 | 9 | 10 | 12,5 | 15 | 18 | 20 | 25 | 30 | 36 | 40 | 50 | 60 | 75 | 90 | 100 | 120 | 150 | 180 | 200 |
| K9R□90F□(-T, -T5) K9P□B, BF | | 1,39 | 1,66 | 2,31 | 2,77 | 3,46 | 4,16 | 4,62 | 5,19 | 6,23 | 7,48 | 8,31 | 9,35 | 11,22 | 13,46 | 14,96 | 18,7 | 20 | 20 | 20 | 20 | 20 | 20 | 20 | 20 |
| | | 13,9 | 16,6 | 23,1 | 27,7 | 34,6 | 41,6 | 46,2 | 51,9 | 62,3 | 74,8 | 83,1 | 93,5 | 112,2 | 134,6 | 149,6 | 187 | 200 | 200 | 200 | 200 | 200 | 200 | 200 | 200 |

* Gearhead and decimal gearhead are sold separately.

* The code in □ of gearhead model is for gear ratio.

* ■ color indicates that the output shaft of the geared motor rotates in the same direction as the output shaft of the motor. Others indicate rotation in the opposite direction.

* If you are to have less ratio than the ratio in the table, you can install the decimal gearhead, which has one tenth of the ratio, between the gearhead and the motor. In this case, the permissible torque is 20N·m/200kgf·cm.

* RPM is based on motor's synchronous rpm (50HZ:1500rpm, 60HZ:1800rpm) and calculated by dividing gear ratio. Actual rpm is 2~20% less than indicating rpm according to load size.

GEARHEADS

RATED TORQUE OF GEARHEAD

● 50Hz

unit = above : N·m / below : Kgf·cm

| Model | Speed(rpm) | 500 | 416 | 300 | 250 | 200 | 166 | 150 | 120 | 100 | 83 | 75 | 60 | 50 | 41 | 37 | 30 | 25 | 20 | 16 | 15 | 13 | 10 | 8,3 | 7,5 |
|--------------------|------------|------|------|------|------|------|------|------|------|------|------|-------|-------|-------|-------|-------|-------|-------|-----|-----|-----|-----|-----|-----|-----|
| Motor/ Gearhead | Ratio | 3 | 3,6 | 5 | 6 | 7,5 | 9 | 10 | 12,5 | 15 | 18 | 20 | 25 | 30 | 36 | 40 | 50 | 60 | 75 | 90 | 100 | 120 | 150 | 180 | 200 |
| K9R□90F□(-T, -T5) | | 1,71 | 2,06 | 2,86 | 3,43 | 4,28 | 5,14 | 5,71 | 6,42 | 7,71 | 9,25 | 10,28 | 11,56 | 13,88 | 16,65 | 18,50 | 23,13 | 27,75 | 30 | 30 | 30 | 30 | 30 | 30 | 30 |
| K9RP□BU, BUF | | 17,1 | 20,6 | 28,6 | 34,3 | 42,8 | 51,4 | 57,1 | 64,2 | 77,1 | 92,5 | 102,8 | 115,6 | 138,8 | 165,6 | 185,0 | 231,3 | 277,5 | 300 | 300 | 300 | 300 | 300 | 300 | 300 |

● 60Hz

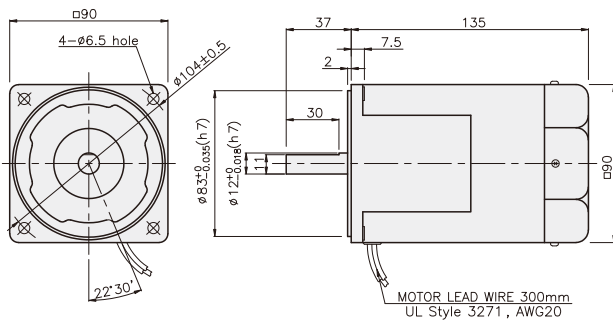
unit = above : N·m / below : Kgf·cm

| Model | Speed(rpm) | 600 | 500 | 360 | 300 | 240 | 200 | 180 | 144 | 120 | 100 | 90 | 72 | 60 | 50 | 45 | 36 | 30 | 24 | 20 | 18 | 15 | 12 | 10 | 9 |
|--------------------|------------|------|------|------|------|------|------|------|------|------|------|------|------|-------|-------|-------|-------|-------|-------|-----|-----|-----|-----|-----|-----|
| Motor/ Gearhead | Ratio | 3 | 3,6 | 5 | 6 | 7,5 | 9 | 10 | 12,5 | 15 | 18 | 20 | 25 | 30 | 36 | 40 | 50 | 60 | 75 | 90 | 100 | 120 | 150 | 180 | 200 |
| K9R□90F□(-T, -T5) | | 1,39 | 1,66 | 2,31 | 2,77 | 3,46 | 4,16 | 4,62 | 5,19 | 6,23 | 7,48 | 8,31 | 9,35 | 11,22 | 13,46 | 14,96 | 18,70 | 22,44 | 25,24 | 30 | 30 | 30 | 30 | 30 | 30 |
| K9RP□BU, BUF | | 13,9 | 16,6 | 23,1 | 27,7 | 34,6 | 41,6 | 46,2 | 51,9 | 62,3 | 74,8 | 83,1 | 93,5 | 112,2 | 134,6 | 149,6 | 187,0 | 224,4 | 252,4 | 300 | 300 | 300 | 300 | 300 | 300 |

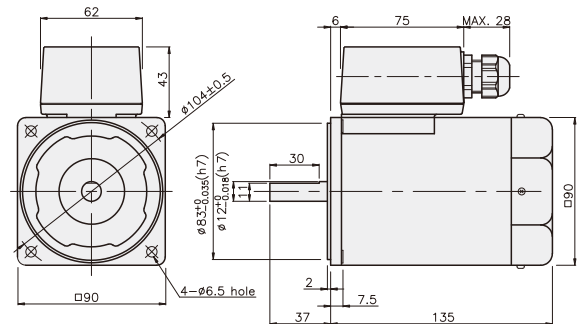
- * Gearhead and decimal gearhead are sold separately.
- * The code in □ of gearhead model is for gear ratio.
- * color indicates that the output shaft of the geared motor rotates in the same direction as the output shaft of the motor. Others indicate rotation in the opposite direction.
- * If you are to have less ratio than the ratio in the table, you can install the decimal gearhead, which has one tenth of the ratio, between the gearhead and the motor. In this case, the permissible torque is 30N·m/300kgf·cm.
- * RPM is based on motor's synchronous rpm (50HZ:1500rpm, 60HZ:1800rpm) and calculated by dividing gear ratio. Actual rpm is 2~20% less than indicating rpm according to load size.

DIMENSIONS

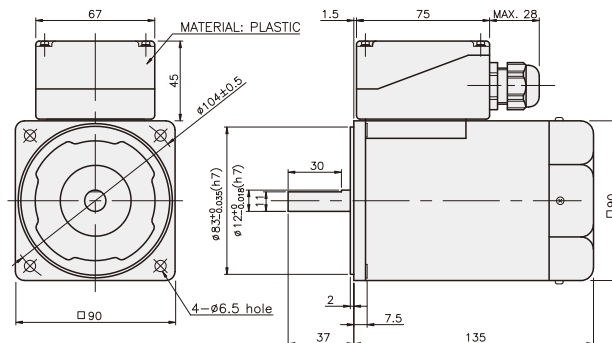
K9RS90F□



K9RS90F□-T



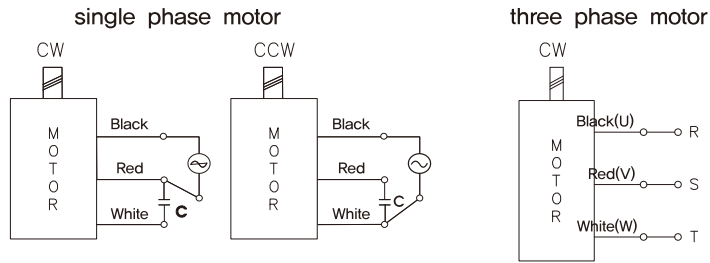
K9RS90F□-T5



GEARHEADS

CONNECTION DIAGRAMS

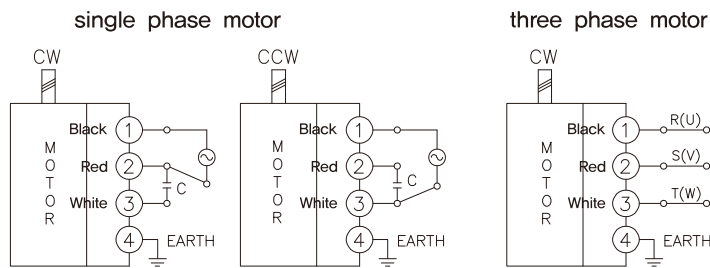
K9RS90F□



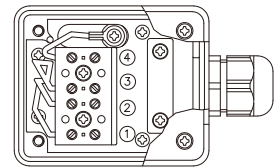
connecting two leadwires of U,V,W in turns

※The direction of motor rotation is as viewed from the front shaft end of the motor

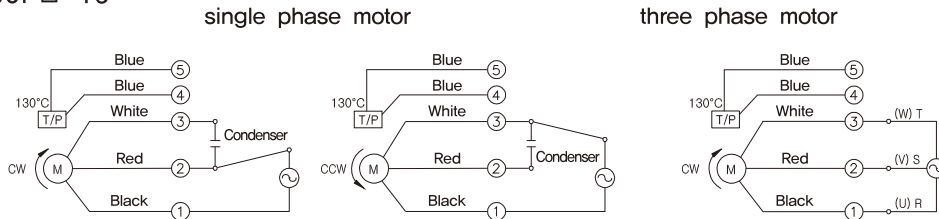
K9RS90F□-T



※The direction of motor rotation is as viewed from the front shaft end of the motor

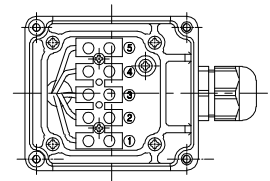


K9RS90F□-T5



connecting two leadwires of U,V,W in turns

※The direction of motor rotation is as viewed from the front shaft end of the motor



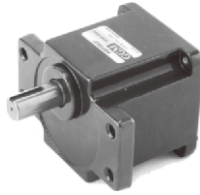
GEARHEADS

DIMENSIONS

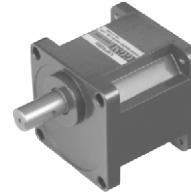
K9P□B



K9P□BF, BUF

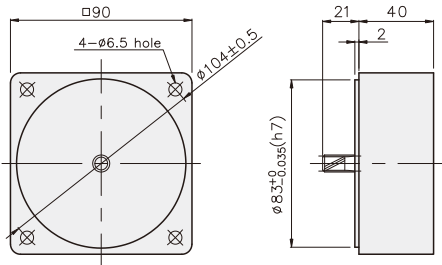


K9P□BU



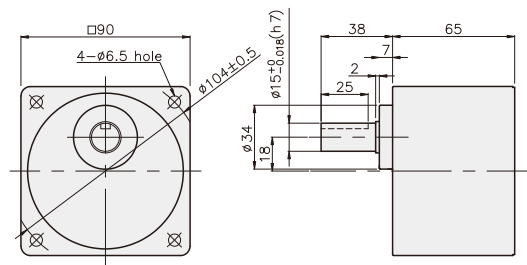
DECIMAL GEARHEAD

K9P10BX



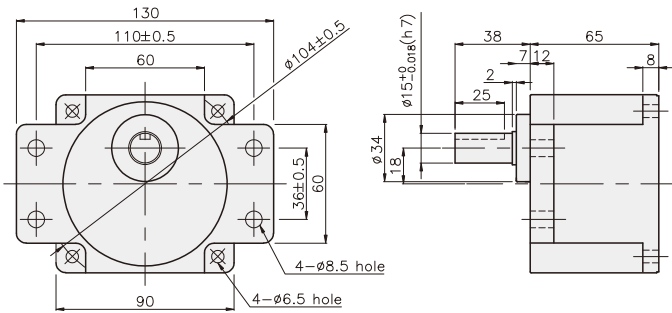
GEAR HEAD

K9P□B



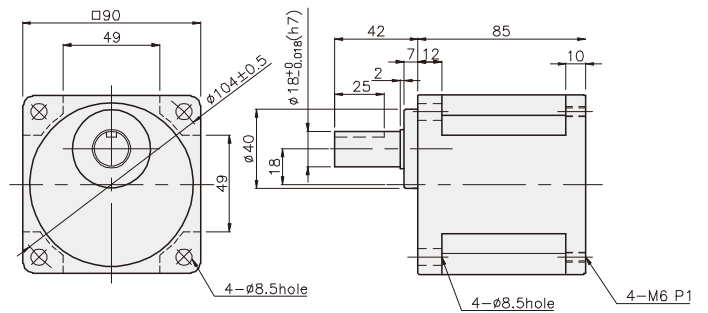
GEARHEAD

K9P□BF



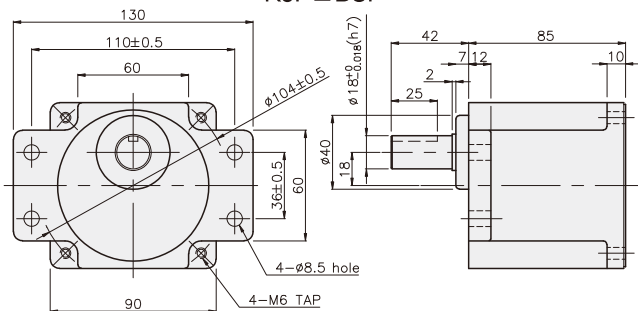
GEARHEAD

K9P□BU

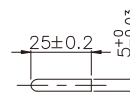


GEARHEAD

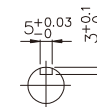
K9P□BUF



• KEY



• KEY GROOVE



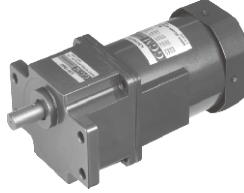
GEARHEADS

DIMENSIONS

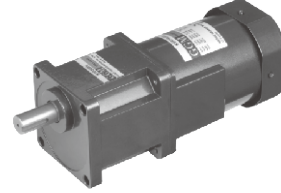
K9RP90F□ + K9P□B



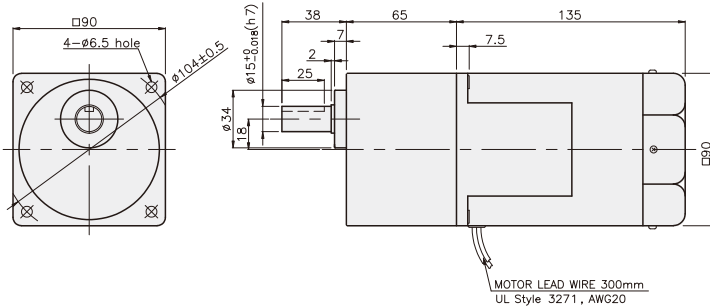
K9RP90F□ + K9P□BF, BUF



K9RP90F□ + K9P□BU



K9RP90F□ + K9P□B



WEIGHT

| PART | WEIGHT(kg) |
|-------------------|------------|
| MOTOR | 3,00 |
| DECIMAL GEAR HEAD | 0,62 |

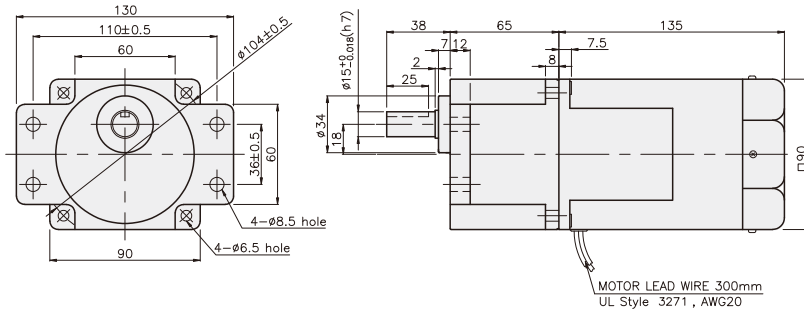
DIMENSION TABLE

| PART No | L | Application Model | Mounting BOLT |
|---------|----|-------------------|---------------|
| 01 | 65 | K9P3~200B | M6 P1,0 X 95 |
| 02 | 40 | K9P10BX | M6 P1,0 X 140 |

WEIGHT

| PART | WEIGHT(kg) |
|-------------|------------|
| K9P3~10B | 1,22 |
| K9P12,5~20B | 1,32 |
| K9P25~60B | 1,42 |
| K9P75~200B | 1,45 |

K9RP90F□ + K9P□BF



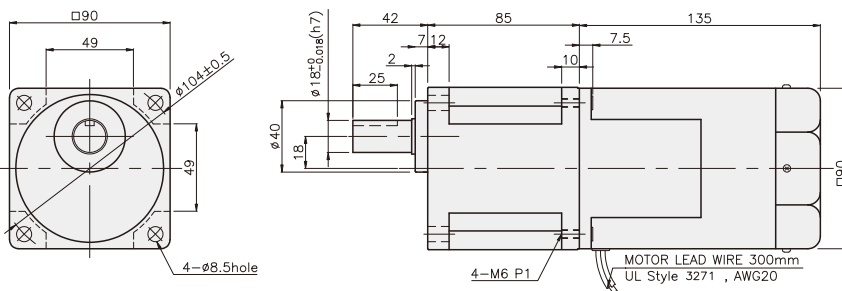
DIMENSION TABLE

| PART No | L | Application Model | Mounting BOLT |
|---------|----|-------------------|---------------|
| 01 | 65 | K9P3~200BF | M6 P1,0 X 25 |
| 02 | 40 | K9P10BX | M6 P1,0 X 65 |

WEIGHT

| PART | WEIGHT(kg) |
|--------------|------------|
| K9P3~10BF | 1,22 |
| K9P12,5~20BF | 1,30 |
| K9P25~60BF | 1,42 |
| K9P75~200BF | 1,44 |

K9RP90F□ + K9P□BU



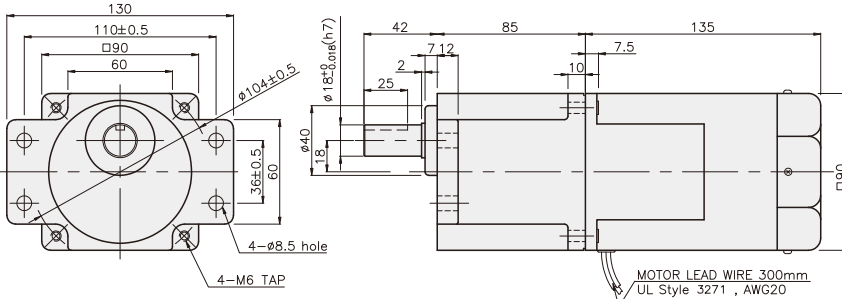
DIMENSION TABLE

| PART No | L | Application Model | Mounting BOLT |
|---------|----|-------------------|---------------|
| 01 | 85 | K9P3~200BU | M6 P1,0 X 20 |
| 02 | 40 | K9P10BX | M6 P1,0 X 60 |

WEIGHT

| PART | WEIGHT(kg) |
|--------------|------------|
| K9P3~10BU | 1,44 |
| K9P12,5~20BU | 1,55 |
| K9P25~60BU | 1,69 |
| K9P75~200BU | 1,74 |

K9RP90F□ + K9P□BUF



DIMENSION TABLE

| PART No | L | Application Model | Mounting BOLT |
|---------|----|-------------------|---------------|
| 01 | 85 | K9P3~200BUF | M6 P1,0 X 20 |
| 02 | 40 | K9P10BX | M6 P1,0 X 65 |

WEIGHT

| PART | WEIGHT(kg) |
|---------------|------------|
| K9P3~10BUF | 1,50 |
| K9P12,5~20BUF | 1,62 |
| K9P25~60BUF | 1,76 |
| K9P75~200BUF | 1,82 |

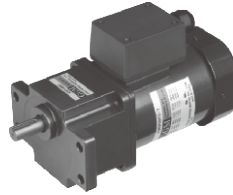
GEARHEADS

DIMENSIONS

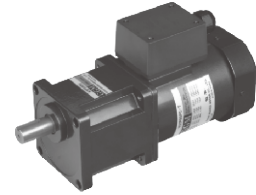
K9RP90F□-T + K9P□B



K9RP90F□-T + K9P□BF, BUF



K9RP90F□-T + K9P□BU



WEIGHT

| PART | WEIGHT(kg) |
|-------------------|------------|
| MOTOR | 3,18 |
| DECIMAL GEAR HEAD | 0,62 |

DIMENSION TABLE

| PART No | L | Application Model | Mounting BOLT |
|---------|----|-------------------|---------------|
| 01 | 65 | K9P3~200B | M6 P1,0 X 95 |
| 02 | 40 | K9P10BX | M6 P1,0 X 140 |

WEIGHT

| PART | WEIGHT(kg) |
|-------------|------------|
| K9P3~10B | 1,22 |
| K9P12,5~20B | 1,32 |
| K9P25~60B | 1,42 |
| K9P75~200B | 1,45 |

DIMENSION TABLE

| PART No | L | Application Model | Mounting BOLT |
|---------|----|-------------------|---------------|
| 01 | 65 | K9P3~200BF | M6 P1,0 X 25 |
| 02 | 40 | K9P10BX | M6 P1,0 X 65 |

WEIGHT

| PART | WEIGHT(kg) |
|--------------|------------|
| K9P3~10BF | 1,22 |
| K9P12,5~20BF | 1,30 |
| K9P25~60BF | 1,42 |
| K9P75~200BF | 1,44 |

DIMENSION TABLE

| PART No | L | Application Model | Mounting BOLT |
|---------|----|-------------------|---------------|
| 01 | 85 | K9P3~200BU | M6 P1,0 X 20 |
| 02 | 40 | K9P10BX | M6 P1,0 X 60 |

WEIGHT

| PART | WEIGHT(kg) |
|--------------|------------|
| K9P3~10BU | 1,44 |
| K9P12,5~20BU | 1,55 |
| K9P25~60BU | 1,69 |
| K9P75~200BU | 1,74 |

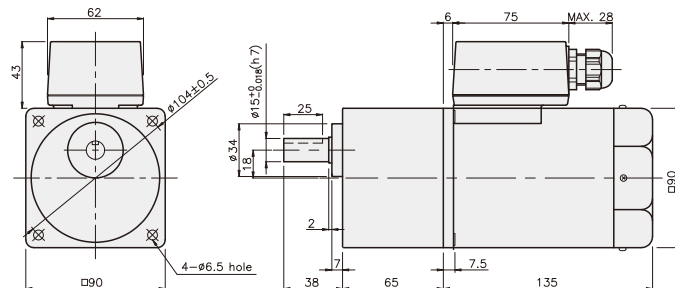
DIMENSION TABLE

| PART No | L | Application Model | Mounting BOLT |
|---------|----|-------------------|---------------|
| 01 | 85 | K9P3~200BUF | M6 P1,0 X 20 |
| 02 | 40 | K9P10BX | M6 P1,0 X 65 |

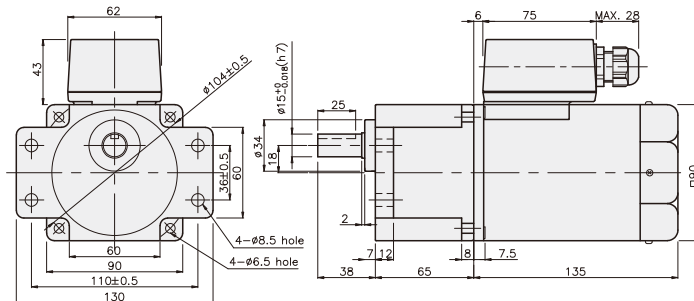
WEIGHT

| PART | WEIGHT(kg) |
|---------------|------------|
| K9P3~10BUF | 1,50 |
| K9P12,5~20BUF | 1,62 |
| K9P25~60BUF | 1,76 |
| K9P75~200BUF | 1,82 |

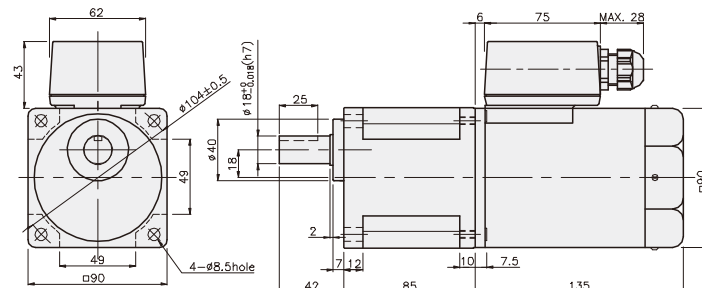
K9RP90F□-T + K9P□B



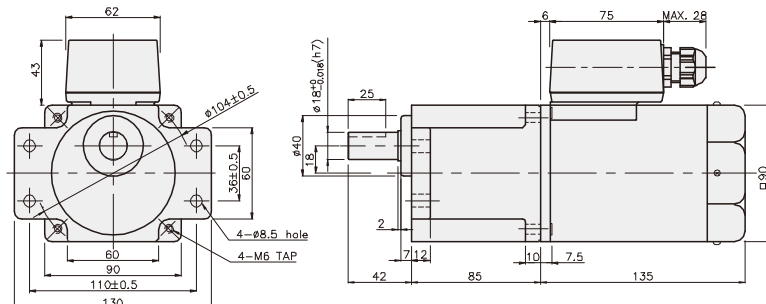
K9RP90F□-T + K9P□BF



K9RP90F□-T + K9P□BU



K9RP90F□-T + K9P□BUF



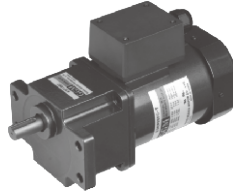
GEARHEADS

DIMENSIONS

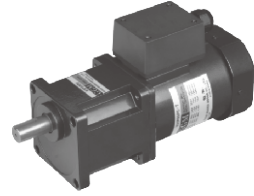
K9RP90F□-T5 + K9P□B



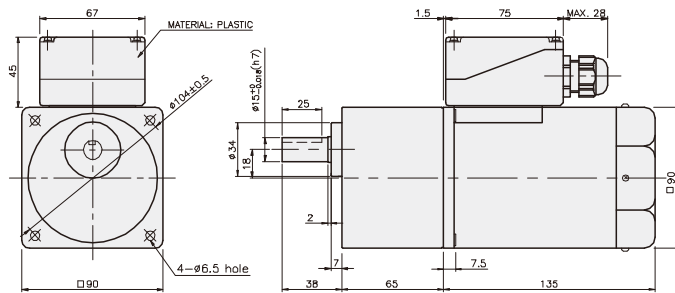
K9RP90F□-T5 + K9P□BF, BUF



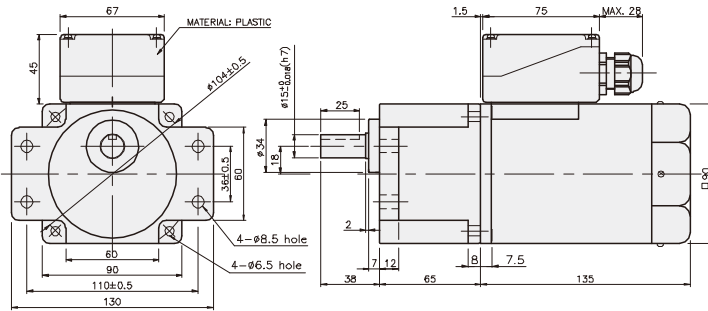
K9RP90F□-T5 + K9P□BU



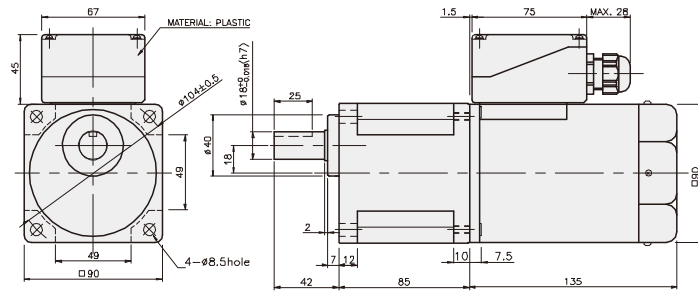
K9RP90F□-T5 + K9P□B



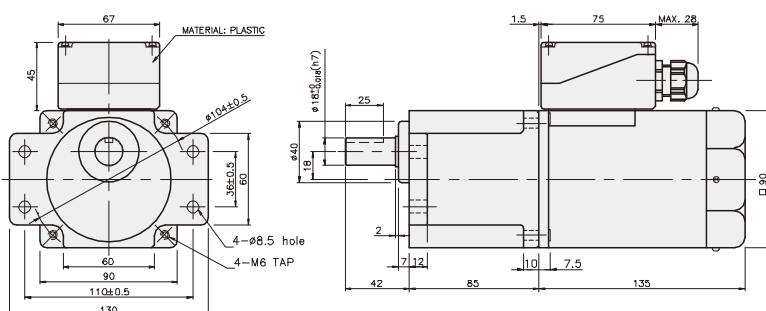
K9RP90F□-T5 + K9P□BF



K9RP90F□-T5 + K9P□BU



K9RP90F□-T5 + K9P□BUF



WEIGHT

| PART | WEIGHT(kg) |
|-------------------|------------|
| MOTOR | 3,18 |
| DECIMAL GEAR HEAD | 0,62 |

DIMENSION TABLE

| PART No | L | Application Model | Mounting BOLT |
|---------|----|-------------------|---------------|
| 01 | 65 | K9P3~200B | M6 P1,0 X 95 |
| 02 | 40 | K9P10BX | M6 P1,0 X 140 |

WEIGHT

| PART | WEIGHT(kg) |
|-------------|------------|
| K9P3~10B | 1,22 |
| K9P12,5~20B | 1,32 |
| K9P25~60B | 1,42 |
| K9P75~200B | 1,45 |

DIMENSION TABLE

| PART No | L | Application Model | Mounting BOLT |
|---------|----|-------------------|---------------|
| 01 | 65 | K9P3~200BF | M6 P1,0 X 25 |
| 02 | 40 | K9P10BX | M6 P1,0 X 65 |

WEIGHT

| PART | WEIGHT(kg) |
|--------------|------------|
| K9P3~10BF | 1,22 |
| K9P12,5~20BF | 1,30 |
| K9P25~60BF | 1,42 |
| K9P75~200BF | 1,44 |

DIMENSION TABLE

| PART No | L | Application Model | Mounting BOLT |
|---------|----|-------------------|---------------|
| 01 | 85 | K9P3~200BU | M6 P1,0 X 20 |
| 02 | 40 | K9P10BX | M6 P1,0 X 60 |

WEIGHT

| PART | WEIGHT(kg) |
|--------------|------------|
| K9P3~10BU | 1,44 |
| K9P12,5~20BU | 1,55 |
| K9P25~60BU | 1,69 |
| K9P75~200BU | 1,74 |

DIMENSION TABLE

| PART No | L | Application Model | Mounting BOLT |
|---------|----|-------------------|---------------|
| 01 | 85 | K9P3~200BUF | M6 P1,0 X 20 |
| 02 | 40 | K9P10BX | M6 P1,0 X 65 |

WEIGHT

| PART | WEIGHT(kg) |
|---------------|------------|
| K9P3~10BUF | 1,50 |
| K9P12,5~20BUF | 1,62 |
| K9P25~60BUF | 1,76 |
| K9P75~200BUF | 1,82 |

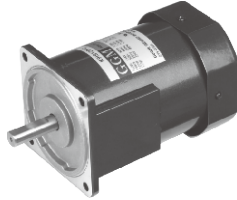
REVERSIBLE MOTOR

120W

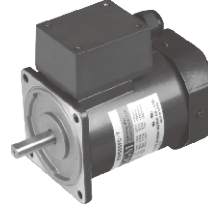
□90mm

LEAD WIRE TYPE
TERMINAL BOX TYPE

K9RS120F□



K9RS120F□-T, T5



SPECIFICATIONS

120W 30 minutes rating, four poles

| Model | Out Put (W) | Voltage (V) | Frequency (Hz) | Current (A) | Start T. (N·m/kgf·cm) | Rated T. (N·m/kgf·cm) | Speed (rpm) | Condenser (μF) |
|------------------------|-------------|-------------|----------------|-------------|-----------------------|-----------------------|-------------|----------------|
| K9R□120FJ-C50(-T, -T5) | 120 | 100 | 50 | 2.4 | 0.65/6.5 | 0.9/9 | 1300 | 40 |
| K9R□120FJ(-T, -T5) | | | 60 | 2.61 | 0.7/7 | 0.755/7.55 | 1550 | |
| K9R□120FU(-T, -T5) | 120 | 110 | 60 | 1.93 | 0.6/6 | 0.755/7.55 | 1550 | 25 |
| | | 115 | | 1.88 | 0.62/6.2 | | | |
| K9R□120FC-C50(-T, -T5) | 120 | 200 | 50 | 1.07 | 0.6/6 | 0.9/9 | 1300 | 8.5 |
| K9R□120FL(-T, -T5) | | | 60 | 1.22 | 0.58/5.8 | 0.755/7.55 | 1550 | 8 |
| K9R□120FD-C50(-T, -T5) | 120 | 220 | 50 | 0.82 | 0.53/5.3 | 0.9/9 | 1300 | 6 |
| | | 230 | | 0.85 | 0.58/5.8 | | | |
| K9R□120FC(-T, -T5) | 120 | 220 | 60 | 1 | 0.63/6.3 | 0.735/7.35 | 1600 | 7 |
| | | 230 | | 1.1 | | | | |

* □ : SHAFT SHAPE (S: STRAIGHT, G: PINION)

RATED TORQUE OF GEARHEAD

● 50Hz

unit = above : N·m / below : Kgf·cm

| Model | Speed(rpm) | 500 | 416 | 300 | 250 | 200 | 166 | 150 | 120 | 100 | 83 | 75 | 60 | 50 | 41 | 37 | 30 | 25 | 20 | 16 | 15 | 12.5 | 10 | 8.3 | 7.5 |
|---------------------------------|------------|------|------|------|------|------|------|------|------|-------|-------|-------|------|-----|-----|-----|-----|-----|-----|-----|-----|------|-----|-----|-----|
| Motor/ Gearhead | Ratio | 3 | 3.6 | 5 | 6 | 7.5 | 9 | 10 | 12.5 | 15 | 18 | 20 | 25 | 30 | 36 | 40 | 50 | 60 | 75 | 90 | 100 | 120 | 150 | 180 | 200 |
| K9R□120F□(-T, -T5) K9P□B, BF | 2.19 | 2.62 | 3.65 | 4.37 | 5.47 | 6.56 | 7.29 | 8.20 | 9.84 | 11.81 | 13.12 | 14.76 | 17.7 | 20 | 20 | 20 | 20 | 20 | 20 | 20 | 20 | 20 | 20 | 20 | 20 |
| | 21.9 | 26.2 | 36.5 | 43.7 | 54.7 | 65.6 | 72.9 | 82.0 | 98.4 | 118.1 | 131.2 | 147.6 | 177 | 200 | 200 | 200 | 200 | 200 | 200 | 200 | 200 | 200 | 200 | 200 | 200 |

● 60Hz

unit = above : N·m / below : Kgf·cm

| Model | Speed(rpm) | 600 | 500 | 360 | 300 | 240 | 200 | 180 | 144 | 120 | 100 | 90 | 72 | 60 | 50 | 45 | 36 | 30 | 24 | 20 | 18 | 15 | 12 | 10 | 9 |
|---------------------------------|------------|------|------|------|------|------|------|------|------|------|-------|-------|------|------|------|-----|-----|-----|-----|-----|-----|-----|-----|-----|-----|
| Motor/ Gearhead | Ratio | 3 | 3.6 | 5 | 6 | 7.5 | 9 | 10 | 12.5 | 15 | 18 | 20 | 25 | 30 | 36 | 40 | 50 | 60 | 75 | 90 | 100 | 120 | 150 | 180 | 200 |
| K9R□120F□(-T, -T5) K9P□B, BF | 1.79 | 2.14 | 2.98 | 3.57 | 4.47 | 5.36 | 5.95 | 6.70 | 8.04 | 9.64 | 10.72 | 12.06 | 14.5 | 17.4 | 19.3 | 20 | 20 | 20 | 20 | 20 | 20 | 20 | 20 | 20 | 20 |
| | 17.9 | 21.4 | 29.8 | 35.7 | 44.7 | 53.6 | 59.5 | 67.0 | 80.4 | 96.4 | 107.2 | 120.6 | 145 | 174 | 193 | 200 | 200 | 200 | 200 | 200 | 200 | 200 | 200 | 200 | 200 |

* Gearhead and decimal gearhead are sold separately.

* The code in □ of gearhead model is for gear ratio.

* ■ color indicates that the output shaft of the geared motor rotates in the same direction as the output shaft of the motor. Others indicate rotation in the opposite direction.

* If you are to have less ratio than the ratio in the table, you can install the decimal gearhead, which has one tenth of the ratio, between the gearhead and the motor. In this case, the permissible torque is 20N·m/200kgf·cm.

* RPM is based on motor's synchronous rpm (50HZ:1500rpm, 60HZ:1800rpm) and calculated by dividing gear ratio. Actual rpm is 2~20% less than indicating rpm according to load size.

GEARHEAD

RATED TORQUE OF GEARHEAD

● 50Hz

unit = above : N·m / below : Kgf·cm

| Model Motor/ Gearhead | Speed(rpm) | 500 | 416 | 300 | 250 | 200 | 166 | 150 | 120 | 100 | 83 | 75 | 60 | 50 | 41 | 37 | 30 | 25 | 20 | 16 | 15 | 13 | 10 | 8,3 | 7,5 |
|---------------------------------|------------|------|------|------|------|------|------|------|------|------|-------|-------|-------|-------|-------|-------|-------|-----|-----|-----|-----|-----|-----|-----|-----|
| | Ratio | 3 | 3,6 | 5 | 6 | 7,5 | 9 | 10 | 12,5 | 15 | 18 | 20 | 25 | 30 | 36 | 40 | 50 | 60 | 75 | 90 | 100 | 120 | 150 | 180 | 200 |
| K9R□120F□(-T -5) K9P□BU, BUF | | 2,19 | 2,62 | 3,65 | 4,37 | 5,47 | 6,56 | 7,29 | 8,20 | 9,84 | 11,81 | 13,12 | 14,76 | 17,71 | 21,26 | 23,62 | 29,52 | 30 | 30 | 30 | 30 | 30 | 30 | 30 | 30 |
| | | 21,9 | 26,2 | 36,5 | 43,7 | 54,7 | 65,6 | 72,9 | 82,0 | 98,4 | 118,1 | 131,2 | 147,6 | 177,1 | 212,6 | 236,2 | 295,2 | 300 | 300 | 300 | 300 | 300 | 300 | 300 | 300 |

● 60Hz

unit = above : N·m / below : Kgf·cm

| Model Motor/ Gearhead | Speed(rpm) | 600 | 500 | 360 | 300 | 240 | 200 | 180 | 144 | 120 | 100 | 90 | 72 | 60 | 50 | 45 | 36 | 30 | 24 | 20 | 18 | 15 | 12 | 10 | 9 |
|---------------------------------|------------|------|------|------|------|------|------|------|------|------|------|-------|-------|-------|-------|-------|-------|-------|-----|-----|-----|-----|-----|-----|-----|
| | Ratio | 3 | 3,6 | 5 | 6 | 7,5 | 9 | 10 | 12,5 | 15 | 18 | 20 | 25 | 30 | 36 | 40 | 50 | 60 | 75 | 90 | 100 | 120 | 150 | 180 | 200 |
| K9R□120F□(-T -5) K9P□BU, BUF | | 1,79 | 2,14 | 2,98 | 3,57 | 4,47 | 5,36 | 5,95 | 6,70 | 8,04 | 9,64 | 10,72 | 12,06 | 14,47 | 17,36 | 19,29 | 24,11 | 28,93 | 30 | 30 | 30 | 30 | 30 | 30 | 30 |
| | | 17,9 | 21,4 | 29,8 | 35,7 | 44,7 | 53,6 | 59,5 | 67,0 | 80,4 | 96,4 | 107,2 | 120,6 | 144,7 | 173,6 | 192,9 | 241,1 | 289,3 | 300 | 300 | 300 | 300 | 300 | 300 | 300 |

* Gearhead and decimal gearhead are sold separately.

* The code in □ of gearhead model is for gear ratio.

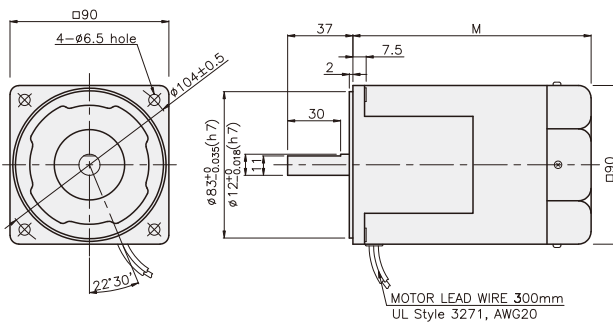
* ■ color indicates that the output shaft of the geared motor rotates in the same direction as the output shaft of the motor. Others indicate rotation in the opposite direction.

* If you are to have less ratio than the ratio in the table, you can install the decimal gearhead, which has one tenth of the ratio, between the gearhead and the motor. In this case, the permissible torque is 20N·m/200kgf·cm.

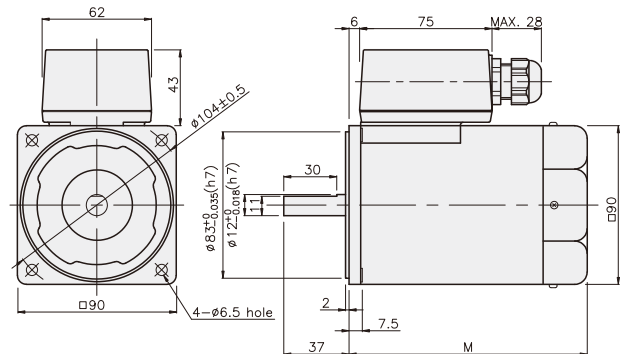
* RPM is based on motor's synchronous rpm (50HZ:1500rpm, 60HZ:1800rpm) and calculated by dividing gear ratio. Actual rpm is 2~20% less than indicating rpm according to load size.

DIMENSIONS

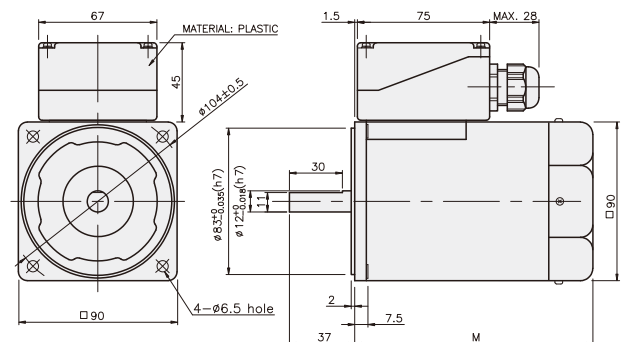
K9RS120F□



K9RS120F□-T



K9RS120F□-T5



DIMENSION TABLE

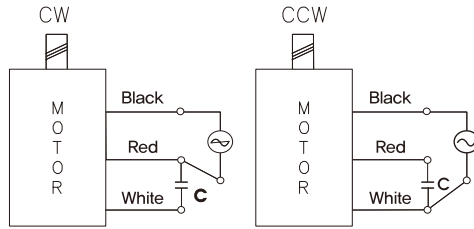
| PART No | M | Application Model |
|---------|-----|-------------------|
| 01 | 155 | 50Hz |
| 02 | 135 | 60Hz |

※ 50Hz motor is "C50" added to model number.

GEARHEAD

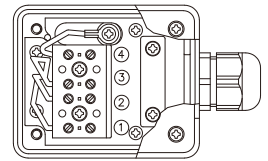
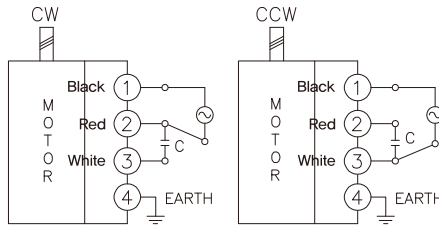
CONNECTION DIAGRAMS

K9RS120F□



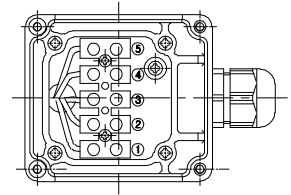
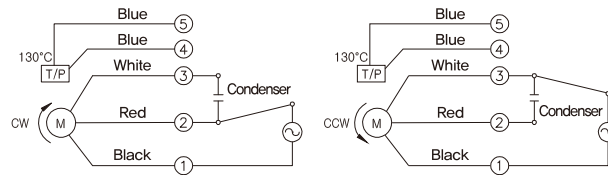
※ The direction of motor rotation is as viewed from the front shaft end of the motor

K9RS120F□-T



※ The direction of motor rotation is as viewed from the front shaft end of the motor

K9RS120F□-T5



※ The direction of motor rotation is as viewed from the front shaft end of the motor

GEARHEAD

DIMENSIONS

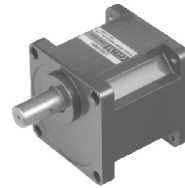
K9P□B



K9P□BF, BUF

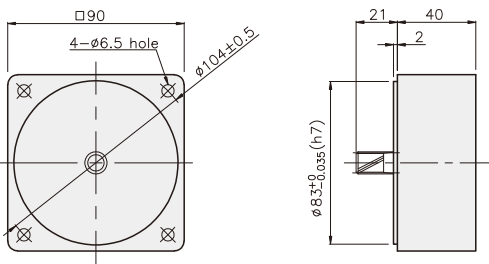


K9P□BU



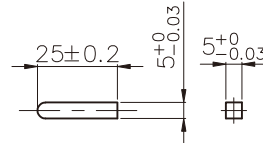
DECIMAL GEARHEAD

K9P10BX

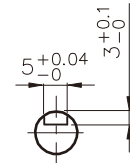


KEY SPEC

● KEY

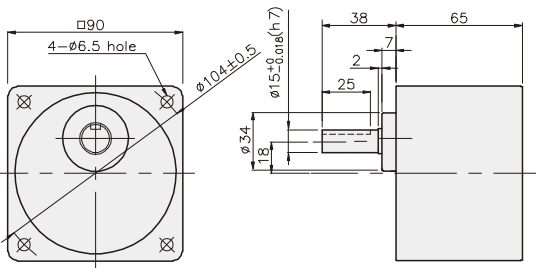


● KEY GROOVE

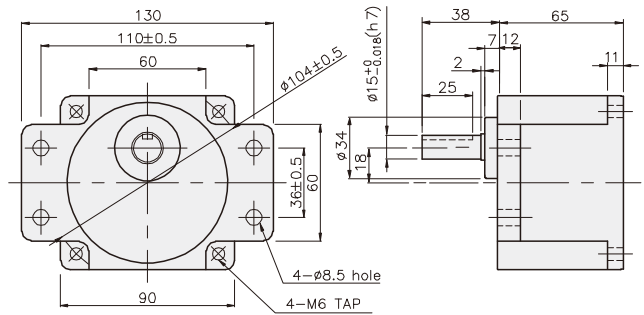


GEARHEAD

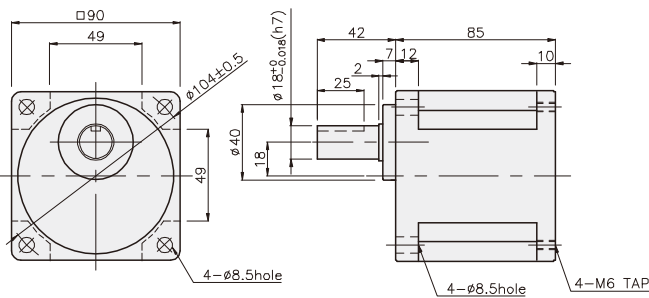
K9P□B



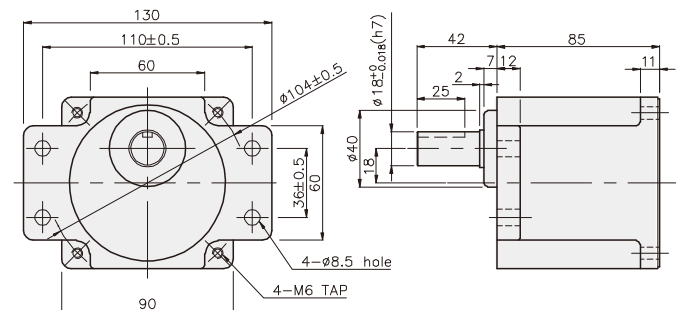
K9P□BF



K9P□BU



K9P□BUF



GEARHEAD

DIMENSIONS

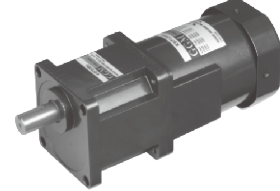
K9RP120F□ + K9P□B



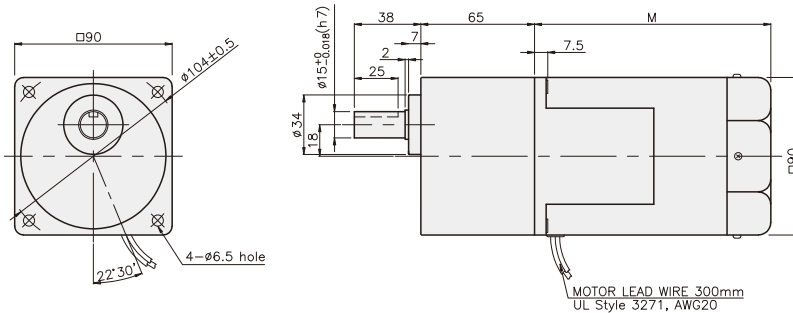
K9RP120F□ + K9P□BF, BUF



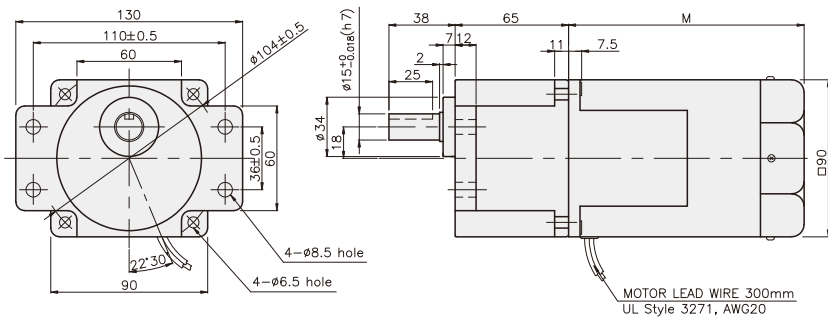
K9RP120F□ + K9P□BU



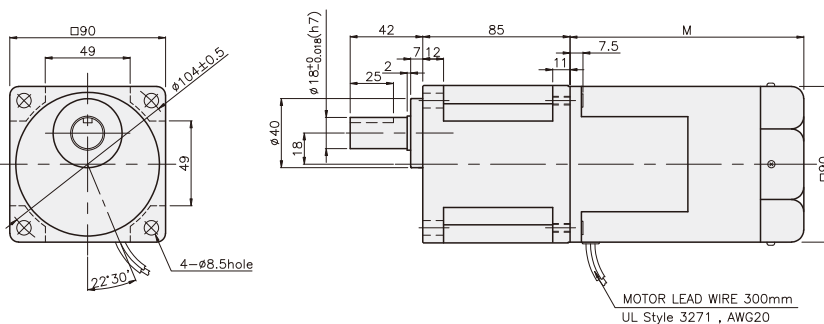
K9RP120F□ + K9P□B



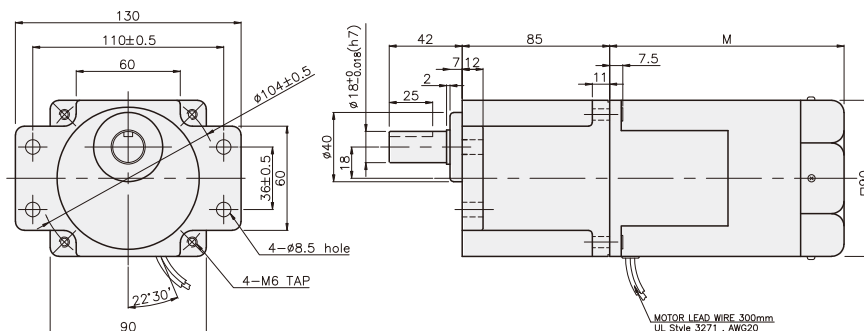
K9RP120F□ + K9P□BF



K9RP120F□ + K9P□BU



K9RP120F□ + K9P□BUF



WEIGHT

| PART | WEIGHT(kg) |
|------------------|------------|
| MOTOR | 3,72 |
| DECIMAL GEARHEAD | 0,62 |

DIMENSION TABLE

| PART No | M | Application Model |
|---------|-----|-------------------|
| 01 | 155 | 50Hz |
| 02 | 135 | 60Hz |

DIMENSION TABLE

| PART No | Application Model | Mounting BOLT |
|---------|-------------------|---------------|
| 01 | K9P3~200B | M6 P1,0 X 95 |
| 02 | K9P10BX | M6 P1,0 X 140 |

WEIGHT

| PART | WEIGHT(kg) |
|-------------|------------|
| K9P3~10B | 1,22 |
| K9P12,5~20B | 1,32 |
| K9P25~60B | 1,42 |
| K9P75~200B | 1,45 |

DIMENSION TABLE

| PART No | Application Model | Mounting BOLT |
|---------|-------------------|---------------|
| 01 | K9P3~200BF | M6 P1,0 X 20 |
| 02 | K9P10BX | M6 P1,0 X 65 |

WEIGHT

| PART | WEIGHT(kg) |
|--------------|------------|
| K9P3~10BF | 1,22 |
| K9P12,5~20BF | 1,30 |
| K9P25~60BF | 1,42 |
| K9P75~200BF | 1,44 |

DIMENSION TABLE

| PART No | Application Model | Mounting BOLT |
|---------|-------------------|---------------|
| 01 | K9P3~200BU | M6 P1,0 X 20 |
| 02 | K9P10BX | M6 P1,0 X 65 |

WEIGHT

| PART | WEIGHT(kg) |
|--------------|------------|
| K9P3~10BU | 1,44 |
| K9P12,5~20BU | 1,55 |
| K9P25~60BU | 1,69 |
| K9P75~200BU | 1,74 |

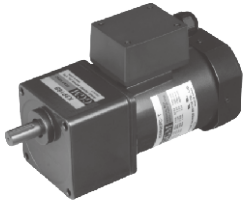
DIMENSION TABLE

| PART No | Application Model | Mounting BOLT |
|---------|-------------------|---------------|
| 01 | K9P3~200BUF | M6 P1,0 X 20 |
| 02 | K9P10BX | M6 P1,0 X 65 |

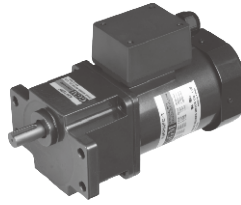
WEIGHT

| PART | WEIGHT(kg) |
|---------------|------------|
| K9P3~10BUF | 1,50 |
| K9P12,5~20BUF | 1,62 |
| K9P25~60BUF | 1,76 |
| K9P75~200BUF | 1,82 |

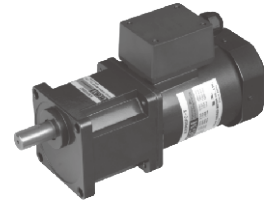
K9RP120F□ - T + K9P□B



K9RP120F□ - T + K9P□BF, BUF



K9RP120F□ - T + K9P□BU



WEIGHT

| PART | WEIGHT(kg) |
|------------------|------------|
| MOTOR | 3,90(50Hz) |
| | 3,20(60Hz) |
| DECIMAL GEARHEAD | 0,62 |

DIMENSION TABLE

| PART No | M | Application Model |
|---------|-----|-------------------|
| 01 | 155 | 50Hz |
| 02 | 135 | 60Hz |

DIMENSION TABLE

| PART No | Application Model | Mounting BOLT |
|---------|-------------------|---------------|
| 01 | K9P3~200B | M6 P1,0 X 95 |
| 02 | K9P10BX | M6 P1,0 X 140 |

WEIGHT

| PART | WEIGHT(kg) |
|-------------|------------|
| K9P3~10B | 1,22 |
| K9P12,5~20B | 1,32 |
| K9P25~60B | 1,42 |
| K9P75~200B | 1,45 |

DIMENSION TABLE

| PART No | Application Model | Mounting BOLT |
|---------|-------------------|---------------|
| 01 | K9P3~200BF | M6 P1,0 X 20 |
| 02 | K9P10BX | M6 P1,0 X 65 |

WEIGHT

| PART | WEIGHT(kg) |
|--------------|------------|
| K9P3~10BF | 1,22 |
| K9P12,5~20BF | 1,30 |
| K9P25~60BF | 1,42 |
| K9P75~200BF | 1,44 |

DIMENSION TABLE

| PART No | Application Model | Mounting BOLT |
|---------|-------------------|---------------|
| 01 | K9P3~200BU | M6 P1,0 X 20 |
| 02 | K9P10BX | M6 P1,0 X 65 |

WEIGHT

| PART | WEIGHT(kg) |
|--------------|------------|
| K9P3~10BU | 1,44 |
| K9P12,5~20BU | 1,55 |
| K9P25~60BU | 1,69 |
| K9P75~200BU | 1,74 |

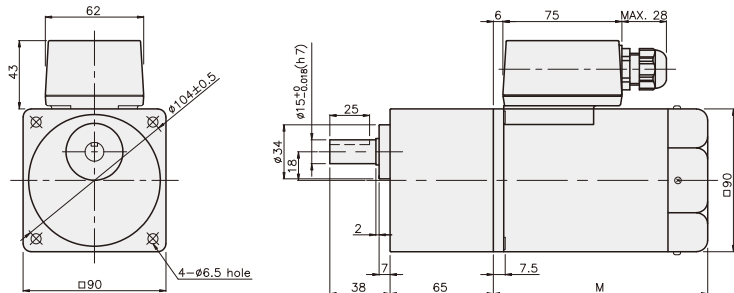
DIMENSION TABLE

| PART No | Application Model | Mounting BOLT |
|---------|-------------------|---------------|
| 01 | K9P3~200BUF | M6 P1,0 X 20 |
| 02 | K9P10BX | M6 P1,0 X 65 |

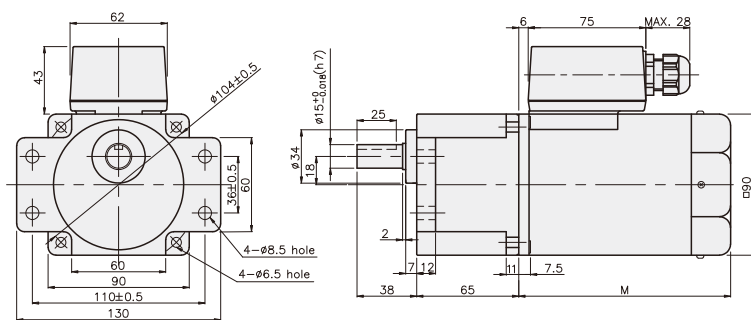
WEIGHT

| PART | WEIGHT(kg) |
|---------------|------------|
| K9P3~10BUF | 1,50 |
| K9P12,5~20BUF | 1,62 |
| K9P25~60BUF | 1,76 |
| K9P75~200BUF | 1,82 |

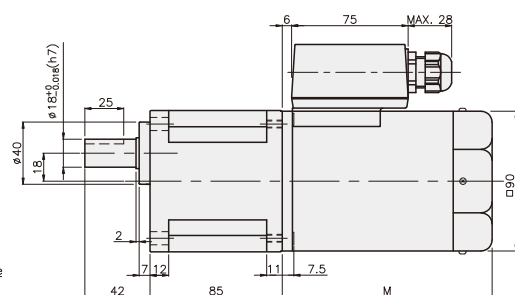
K9RP120F□ - T + K9P□B



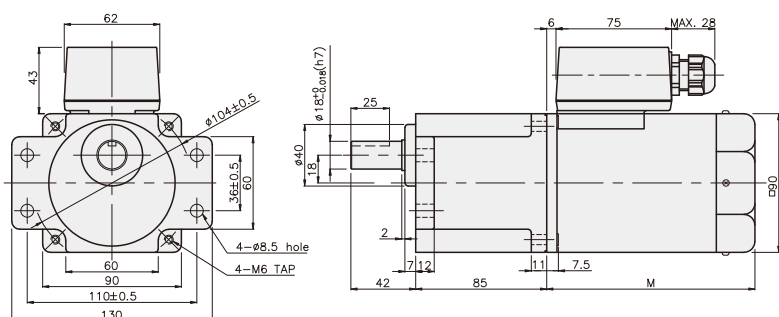
K9RP120F□ - T + K9P□BF



K9RP120F□ - T + K9P□BU



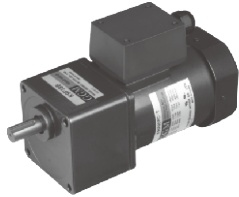
K9RP120F□ - T + K9P□BUF



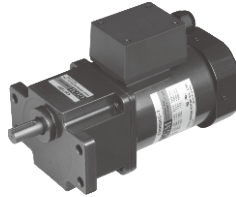
GEARHEAD

DIMENSIONS

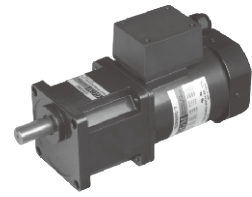
K9RP120F□ - T5 + K9P□B



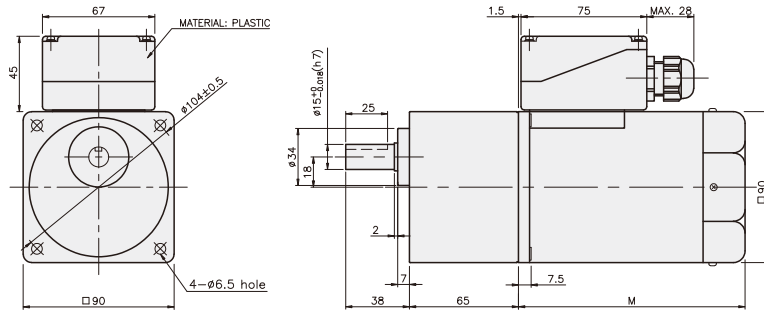
K9RP120F□ - T5 + K9P□BF, BUF



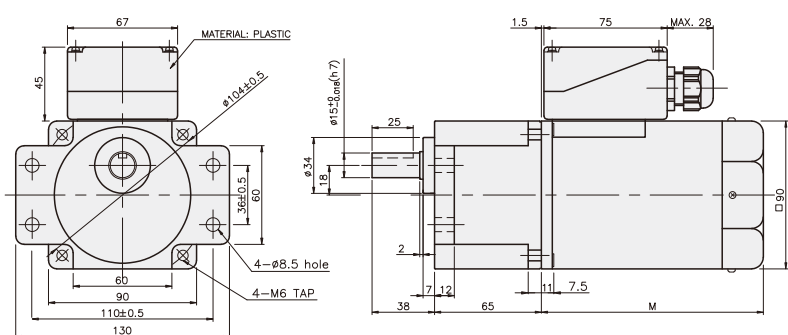
K9RP120F□ - T5 + K9P□BU



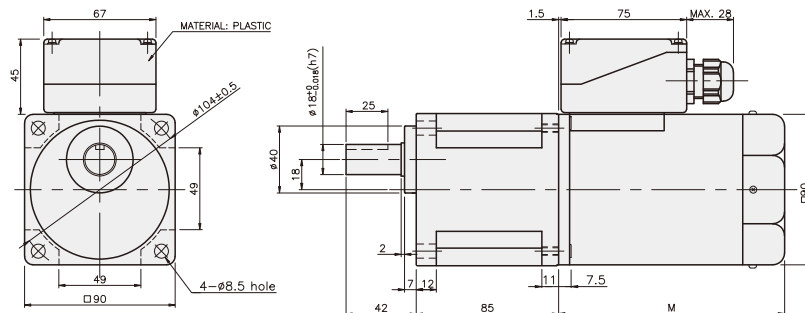
K9RP120F□ - T5 + K9P□B



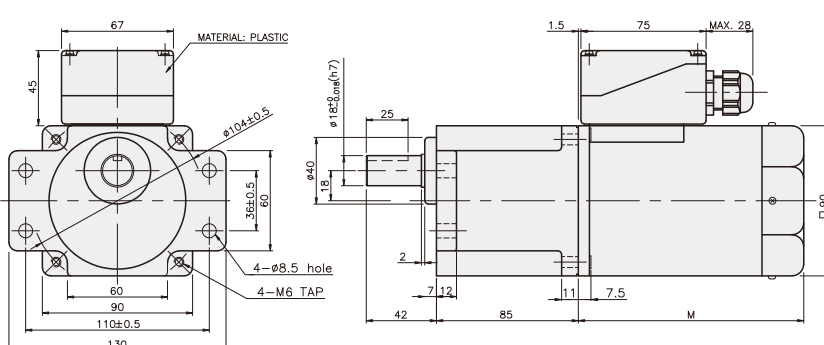
K9RP120F□ - T5 + K9P□BF



K9RP120F□ - T5 + K9P□BU



K9RP120F□ - T5 + K9P□BUF



WEIGHT

| PART | WEIGHT(kg) |
|------------------|--------------------------|
| MOTOR | 3.90(50Hz) 3.20(60Hz) |
| DECIMAL GEARHEAD | 0.62 |

DIMENSION TABLE

| PART No | M | Application Model |
|---------|-----|-------------------|
| 01 | 155 | 50Hz |
| 02 | 135 | 60Hz |

DIMENSION TABLE

| PART No | Application Model | Mounting BOLT |
|---------|-------------------|---------------|
| 01 | K9P3~200B | M6 P1.0 X 95 |
| 02 | K9P10BX | M6 P1.0 X 140 |

WEIGHT

| PART | WEIGHT(kg) |
|-------------|------------|
| K9P3~10B | 1.22 |
| K9P12.5~20B | 1.32 |
| K9P25~60B | 1.42 |
| K9P75~200B | 1.45 |

DIMENSION TABLE

| PART No | Application Model | Mounting BOLT |
|---------|-------------------|---------------|
| 01 | K9P3~200BF | M6 P1.0 X 20 |
| 02 | K9P10BX | M6 P1.0 X 65 |

WEIGHT

| PART | WEIGHT(kg) |
|--------------|------------|
| K9P3~10BF | 1.22 |
| K9P12.5~20BF | 1.30 |
| K9P25~60BF | 1.42 |
| K9P75~200BF | 1.44 |

DIMENSION TABLE

| PART No | Application Model | Mounting BOLT |
|---------|-------------------|---------------|
| 01 | K9P3~200BU | M6 P1.0 X 20 |
| 02 | K9P10BX | M6 P1.0 X 65 |

WEIGHT

| PART | WEIGHT(kg) |
|--------------|------------|
| K9P3~10BU | 1.44 |
| K9P12.5~20BU | 1.55 |
| K9P25~60BU | 1.69 |
| K9P75~200BU | 1.74 |

DIMENSION TABLE

| PART No | Application Model | Mounting BOLT |
|---------|-------------------|---------------|
| 01 | K9P3~200BUF | M6 P1.0 X 20 |
| 02 | K9P10BX | M6 P1.0 X 65 |

WEIGHT

| PART | WEIGHT(kg) |
|---------------|------------|
| K9P3~10BUF | 1.50 |
| K9P12.5~20BUF | 1.62 |
| K9P25~60BUF | 1.76 |
| K9P75~200BUF | 1.82 |

REVERSIBLE MOTOR

180W

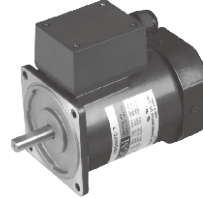
□ 90mm

LEAD WIRE TYPE
TERMINAL BOX TYPE

K9RS180F□



K9RS180F□-T, T5



SPECIFICATIONS

180W 30 minutes rating, four poles

| Model | Out Put (W) | Voltage (V) | Frequency (Hz) | Current (A) | Start T. (N·m/kgf·cm) | Rated T. (N·m/kgf·cm) | Speed (rpm) | Condenser (μF) |
|--------------------|-------------|-------------|----------------|-------------|-----------------------|-----------------------|-------------|----------------|
| K9R□180FJ(-T, -T5) | 180 | 100 | 50 | 3.1 | 0.7/7 | 1.35/13.5 | 1300 | 40 |
| | | | 60 | 2.95 | 0.75/7.5 | 1.1/11 | 1600 | |
| K9R□180FU(-T, -T5) | 180 | 110 | 60 | 2.9 | 0.85/8.5 | 1.1/11 | 1600 | 40 |
| | | 115 | | 3.1 | | | | |
| K9R□180FL(-T, -T5) | 180 | 200 | 50 | 1.47 | 0.65/6.5 | 1.35/13.5 | 1300 | 12 |
| | | | 60 | 1.43 | 0.55/5.5 | 1.1/11 | 1600 | |
| K9R□180FC(-T, -T5) | 180 | 220 | 50 | 1.58 | 0.65/6.5 | 1.35/13.5 | 1300 | 8 |
| | | | 60 | 1.38 | 0.6/6 | 1.1/11 | 1600 | |
| | | 230 | 50 | 1.7 | 0.7/7 | 1.35/13.5 | 1300 | |
| | | | 60 | 1.54 | 0.65/6.5 | 1.1/11 | 1600 | |

* □ : SHAFT SHAPE (S : STRAIGHT, G : PINION)

RATED TORQUE OF GEARHEAD

● 50Hz

unit = above : N·m / below : Kgf·cm

| Model | Speed(rpm) | 500 | 416 | 300 | 250 | 200 | 166 | 150 | 120 | 100 | 83 | 75 | 60 | 50 | 41 | 37 | 30 | 25 | 20 | 16 | 15 | 13 | 10 | 8,3 | 7,5 |
|---------------------------------|------------|------|------|------|------|------|------|-------|-------|-------|-------|-------|-------|-------|-----|-----|-----|-----|-----|-----|-----|-----|-----|-----|-----|
| Motor/ Gearhead | Ratio | 3 | 3,6 | 5 | 6 | 7,5 | 9 | 10 | 12,5 | 15 | 18 | 20 | 25 | 30 | 36 | 40 | 50 | 60 | 75 | 90 | 100 | 120 | 150 | 180 | 200 |
| K9R□180F□(-T, -T5) K9P□B, BF | | 3,28 | 3,94 | 5,47 | 6,56 | 8,20 | 9,84 | 10,94 | 12,30 | 14,76 | 17,71 | 19,68 | 22,14 | 26,57 | 30 | 30 | 30 | 30 | 30 | 30 | 30 | 30 | 30 | 30 | 30 |
| | | 32,8 | 39,4 | 54,7 | 65,6 | 82,0 | 98,4 | 109,4 | 123,0 | 147,6 | 177,1 | 196,8 | 221,4 | 265,7 | 300 | 300 | 300 | 300 | 300 | 300 | 300 | 300 | 300 | 300 | 300 |

● 60Hz

unit = above : N·m / below : Kgf·cm

| Model | Speed(rpm) | 600 | 500 | 360 | 300 | 240 | 200 | 180 | 144 | 120 | 100 | 90 | 72 | 60 | 50 | 45 | 36 | 30 | 24 | 20 | 18 | 15 | 12 | 10 | 9 |
|-----------------------------------|------------|------|------|------|------|------|------|------|-------|-------|-------|-------|-------|-------|-------|-------|-----|-----|-----|-----|-----|-----|-----|-----|-----|
| Motor/ Gearhead | Ratio | 3 | 3,6 | 5 | 6 | 7,5 | 9 | 10 | 12,5 | 15 | 18 | 20 | 25 | 30 | 36 | 40 | 50 | 60 | 75 | 90 | 100 | 120 | 150 | 180 | 200 |
| K9R□180F□(-T, -T5) K9P□BU, BUF | | 2,67 | 3,21 | 4,46 | 5,35 | 6,68 | 8,02 | 8,91 | 10,02 | 12,03 | 14,43 | 16,04 | 18,04 | 21,65 | 25,98 | 28,87 | 30 | 30 | 30 | 30 | 30 | 30 | 30 | 30 | 30 |
| | | 26,7 | 32,1 | 44,6 | 53,5 | 66,8 | 80,2 | 89,1 | 100,2 | 120,3 | 144,3 | 160,4 | 180,4 | 216,5 | 259,8 | 288,7 | 300 | 300 | 300 | 300 | 300 | 300 | 300 | 300 | 300 |

* Gearhead and decimal gearhead are sold separately.

* The code in □ of gearhead model is for gear ratio.

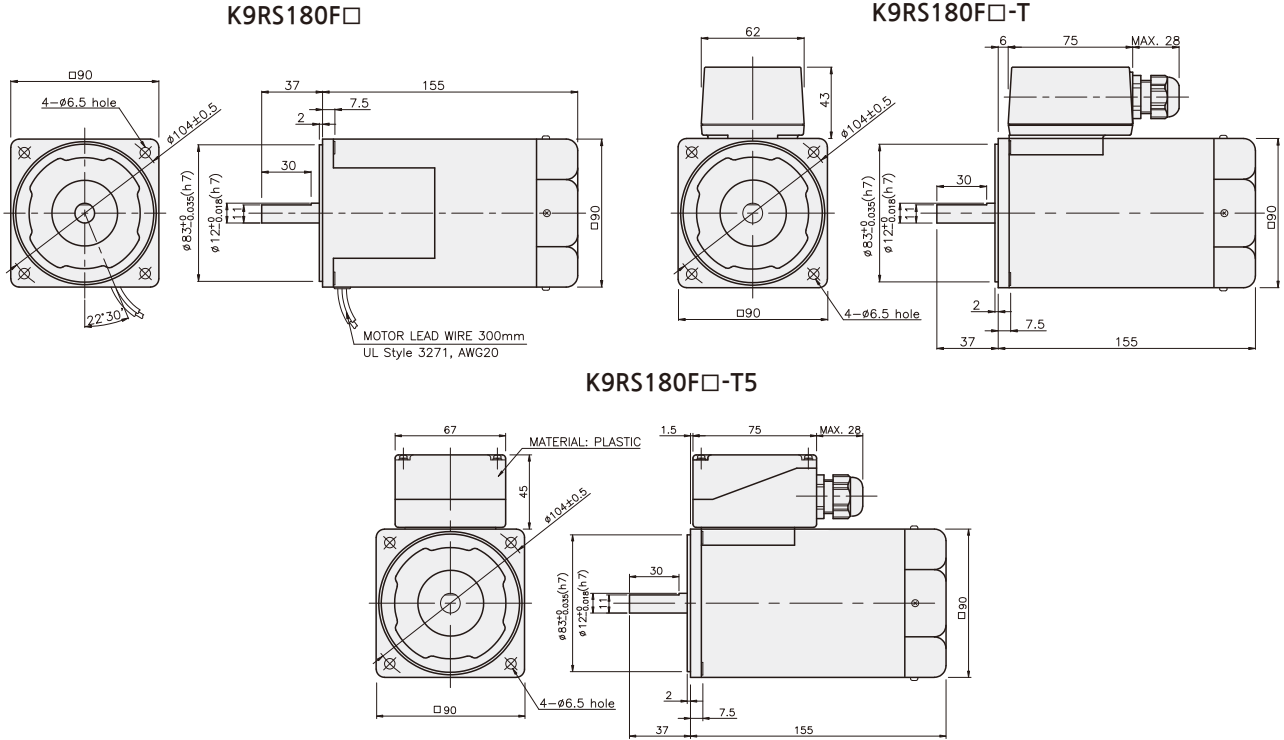
* ■ color indicates that the output shaft of the geared motor rotates in the same direction as the output shaft of the motor. Others indicate rotation in the opposite direction.

* If you are to have less ratio than the ratio in the table, you can install the decimal gearhead, which has one tenth of the ratio, between the gearhead and the motor. In this case, the permissible torque is 20N·m/200kgf·cm.

* RPM is based on motor's synchronous rpm (50HZ:1500rpm, 60HZ:1800rpm) and calculated by dividing gear ratio. Actual rpm is 2~20% less than indicating rpm according to load size.

GEARHEAD

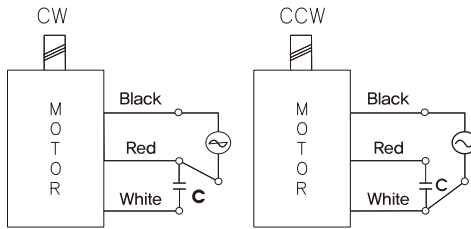
DIMENSIONS



REVERSIBLE MOTOR

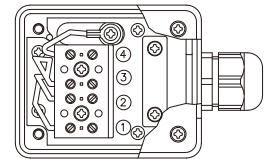
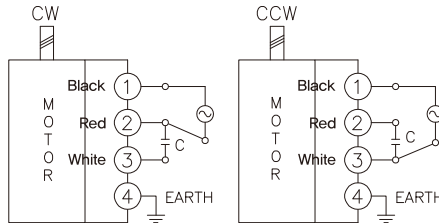
CONNECTION DIAGRAMS

K9RS180F□



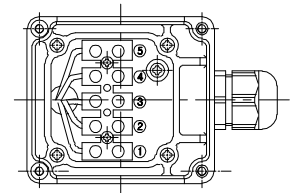
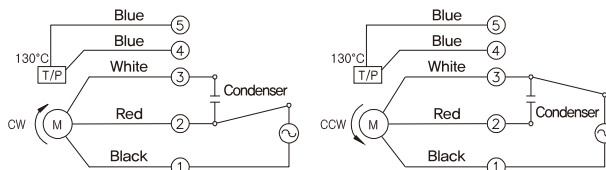
※ The direction of motor rotation is as viewed from the front shaft end of the motor

K9RS180F□-T



※ The direction of motor rotation is as viewed from the front shaft end of the motor

K9RS180F□-T5



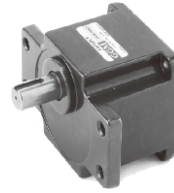
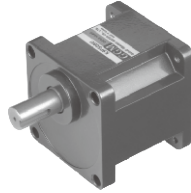
※ The direction of motor rotation is as viewed from the front shaft end of the motor

GEARHEAD

DIMENSIONS

K9P□BU

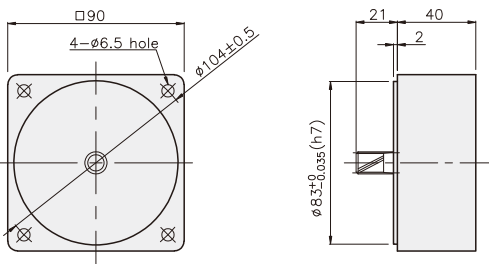
K9P□BUF



DECIMAL GEARHEAD

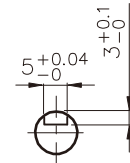
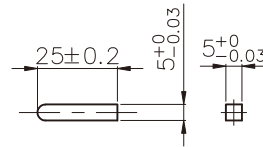
K9P10BX

KEY SPEC



● KEY

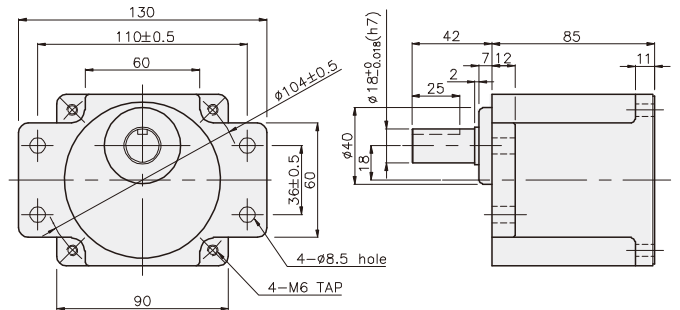
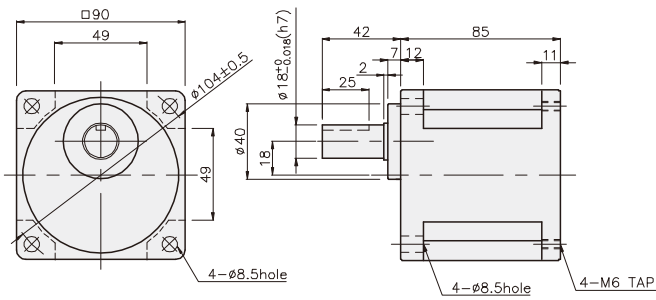
● KEY GROOVE



GEARHEAD

K9P□BU

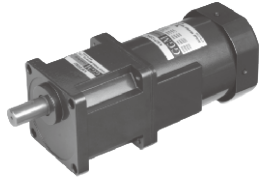
K9P□BUF



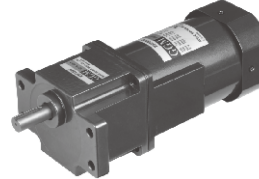
GEARHEAD

DIMENSIONS

K9RP180F□ + K9P□BU



K9RP180F□ + K9P□BUF



WEIGHT

| PART | WEIGHT(kg) |
|------------------|------------|
| MOTOR | 3,72 |
| DECIMAL GEARHEAD | 0,62 |

DIMENSION TABLE

| PART No | Application Model | Mounting BOLT |
|---------|-------------------|---------------|
| 01 | K9P3~200BU | M6 P1,0 X 20 |
| 02 | K9P10BX | M6 P1,0 X 65 |

WEIGHT

| PART | WEIGHT(kg) |
|--------------|------------|
| K9P3~10BU | 1,44 |
| K9P12,5~20BU | 1,55 |
| K9P25~60BU | 1,69 |
| K9P75~200BU | 1,74 |

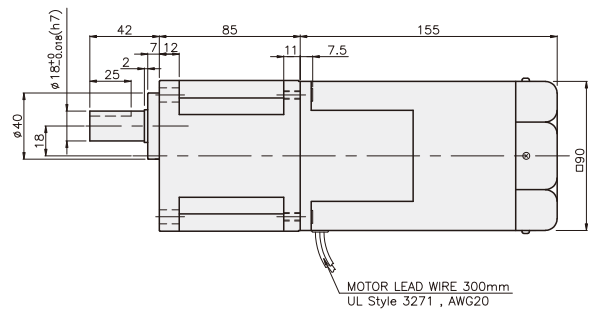
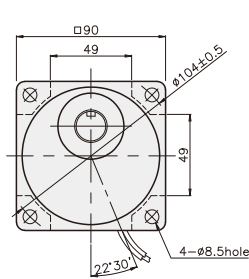
DIMENSION TABLE

| PART No | Application Model | Mounting BOLT |
|---------|-------------------|---------------|
| 01 | K9P3~200BUF | M6 P1,0 X 20 |
| 02 | K9P10BX | M6 P1,0 X 65 |

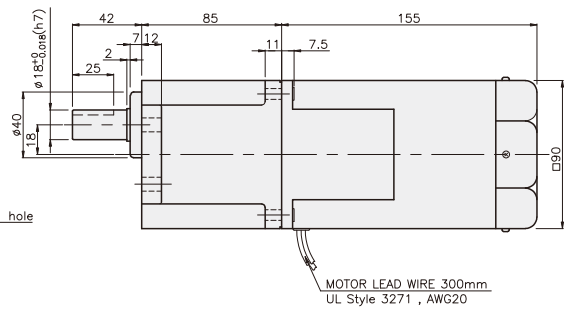
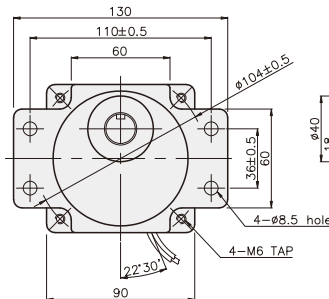
WEIGHT

| PART | WEIGHT(kg) |
|---------------|------------|
| K9P3~10BUF | 1,50 |
| K9P12,5~20BUF | 1,62 |
| K9P25~60BUF | 1,76 |
| K9P75~200BUF | 1,82 |

K9RP180F□ + K9P□BU



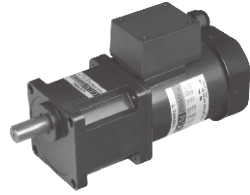
K9RP180F□ + K9P□BUF



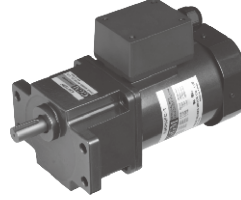
GEARHEAD

DIMENSIONS

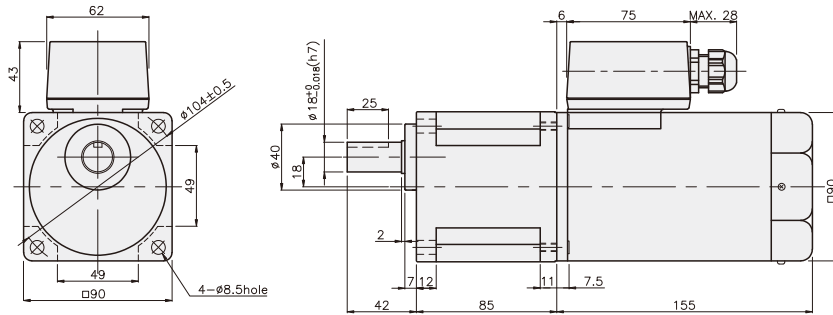
K9RP180F□ - T + K9P□BU



K9RP180F□ - T + K9P□BUF



K9RP180F□ - T + K9P□BU



WEIGHT

| PART | WEIGHT(kg) |
|------------------|------------|
| MOTOR | 3,90 |
| DECIMAL GEARHEAD | 0,62 |

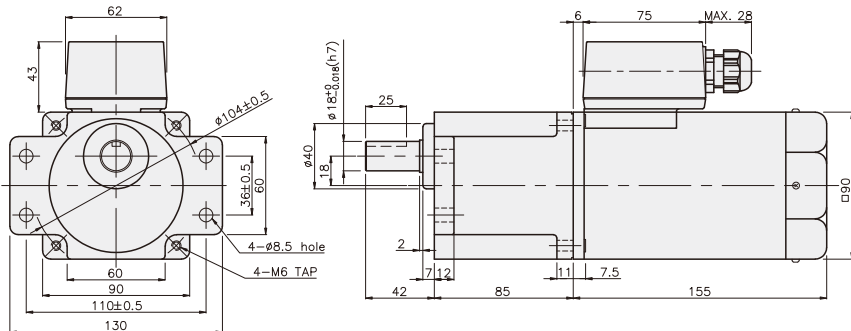
DIMENSION TABLE

| PART No | Application Model | Mounting BOLT |
|---------|-------------------|---------------|
| 01 | K9P3~200BU | M6 P1,0 X 20 |
| 02 | K9P10BX | M6 P1,0 X 65 |

WEIGHT

| PART | WEIGHT(kg) |
|--------------|------------|
| K9P3~10BU | 1,44 |
| K9P12,5~20BU | 1,55 |
| K9P25~60BU | 1,69 |
| K9P75~200BU | 1,74 |

K9RP180F□ - T + K9P□BUF



DIMENSION TABLE

| PART No | Application Model | Mounting BOLT |
|---------|-------------------|---------------|
| 01 | K9P3~200BUF | M6 P1,0 X 20 |
| 02 | K9P10BX | M6 P1,0 X 65 |

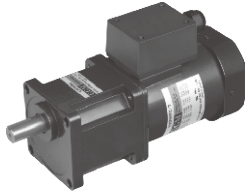
WEIGHT

| PART | WEIGHT(kg) |
|---------------|------------|
| K9P3~10BUF | 1,50 |
| K9P12,5~20BUF | 1,62 |
| K9P25~60BUF | 1,76 |
| K9P75~200BUF | 1,82 |

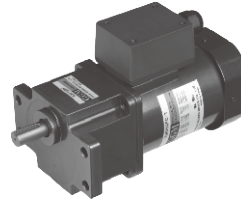
GEARHEAD

DIMENSIONS

K9RP180F□ - T5 + K9P□BU



K9RP180F□ - T5 + K9P□BUF



WEIGHT

| PART | WEIGHT(kg) |
|------------------|------------|
| MOTOR | 3,90 |
| DECIMAL GEARHEAD | 0,62 |

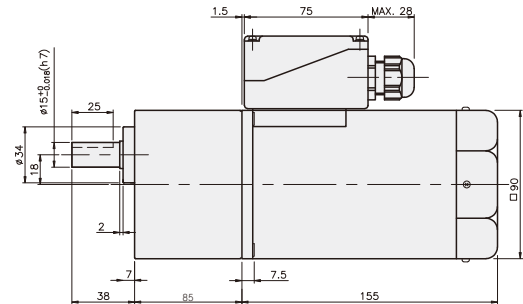
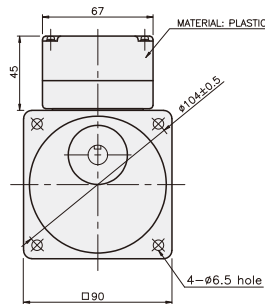
DIMENSION TABLE

| PART No. | Application Model | Mounting BOLT |
|----------|-------------------|---------------|
| 01 | K9P3~200BU | M6 P1,0 X 20 |
| 02 | K9P10BX | M6 P1,0 X 65 |

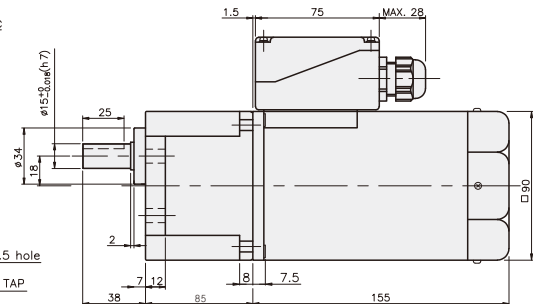
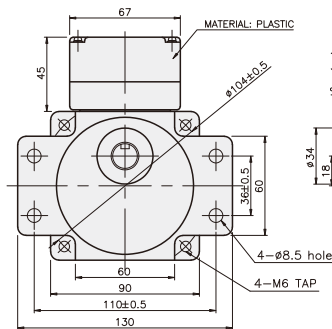
WEIGHT

| PART | WEIGHT(kg) |
|--------------|------------|
| K9P3~10BU | 1,44 |
| K9P12,5~20BU | 1,55 |
| K9P25~60BU | 1,69 |
| K9P75~200BU | 1,74 |

K9RP180F□ - T5 + K9P□BU



K9RP180F□ - T5 + K9P□BUF



DIMENSION TABLE

| PART No. | Application Model | Mounting BOLT |
|----------|-------------------|---------------|
| 01 | K9P3~200BUF | M6 P1,0 X 20 |
| 02 | K9P10BX | M6 P1,0 X 65 |

WEIGHT

| PART | WEIGHT(kg) |
|---------------|------------|
| K9P3~10BUF | 1,50 |
| K9P12,5~20BUF | 1,62 |
| K9P25~60BUF | 1,76 |
| K9P75~200BUF | 1,82 |